

# LKCL18-CCT



## Installation Sheet

### SLIM LED POLO

IP54 Round Bulkhead  
CCT Changeable / Tri Wattage  
9W/14W/18W



220-240V

These instructions should be read carefully and retained after installation for further reference and maintenance.

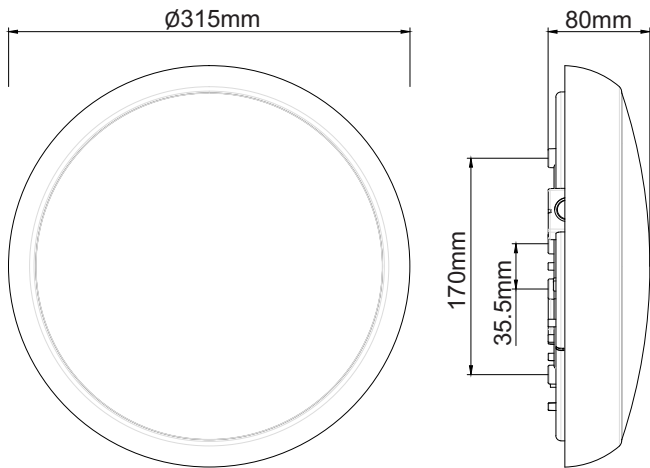
#### SAFETY

- Before installation, ensure that the mains supply to the luminaire is switched off and the circuit supply fuses are removed or circuit breaker turned off
- It is recommended that a qualified electrician is consulted or used for the installation of this luminaire and installed to the current edition of the IEE wiring regulations
- Check that the total load on the circuit, including this luminaire, does not exceed the rating of the circuit cable, fuse or circuit breaker

#### RATINGS

- This luminaire is of Class II construction and it does not require an earth connection
- IP54 rated
- F marked, suitable for installation on normal flammable surfaces
- Working situation:  $-20^{\circ}\text{C}$  to  $40^{\circ}\text{C}$
- 220-240V AC rated
- CE Approved

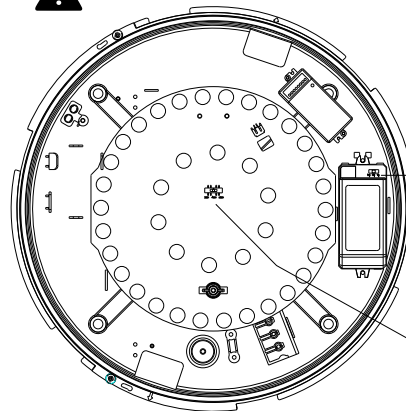
#### DIMENSIONS:



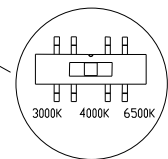
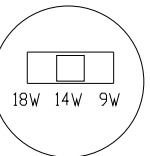
#### CCT & POWER ADJUSTABLE:



Switch off the mains supply before changing power or CCT

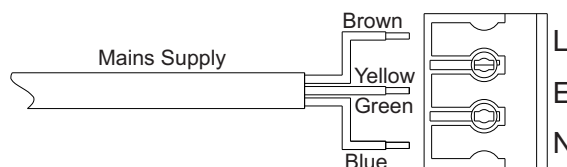


Use the driver switch to change the power



Use the LED gear tray switch to change the CCT temperature

#### WIRING DIAGRAM:



#### TECHNICAL SPECIFICATIONS:

- Input Voltage: 220-240V/AC
- Tri-Power Selectable: 9W / 14W / 18W
- Light Output: 9W - 900lm  
14W - 1450lm  
18W - 1850lm
- CCT Changeable (switch): 3000K/4000K/6500K
- CRI > 80
- IP Rating: IP54
- Protection Class: Class II
- Housing: PC Body & Diffuser
- Operating Temp.:  $-15^{\circ}\text{C}$  to  $+40^{\circ}\text{C}$
- Dimensions: Diameter 315mm / depth 80mm
- Warranty: 5 years

# INSTALLATION INSTRUCTIONS:

**⚠** Switch off the mains supply before installation.

