

LKCL18-CCT

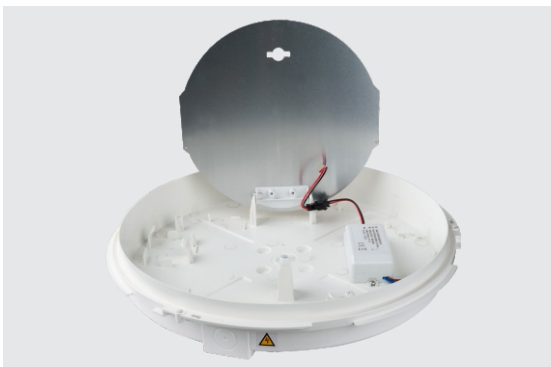
IP54 Round Bulkhead CCT Changeable Multi Wattage



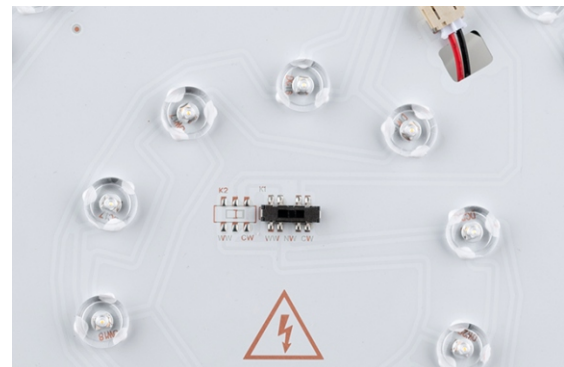
- 80mm Slim Design
- Power Selectable 9W/14W/18W
- Up to 1850lm
- Clip-on Trim Bazel
- IP54 Rating

Low maintenance round slim polo LED bulkhead, CCT changeable and tri-wattage changeable. Ideal for common areas of domestic and commercial environments: Multiple Blocks of Flats, Workshops, Garages, Warehouses, Sports Halls etc.

Features:



Hinged gear tray for easy access



CCT changing switch on top of the gear tray



Two side 20mm conduit entry points



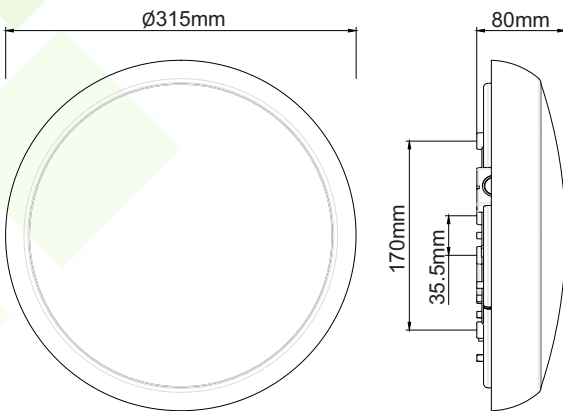
Evenly spread LED chips for a uniform light distribution

Technical Specifications:

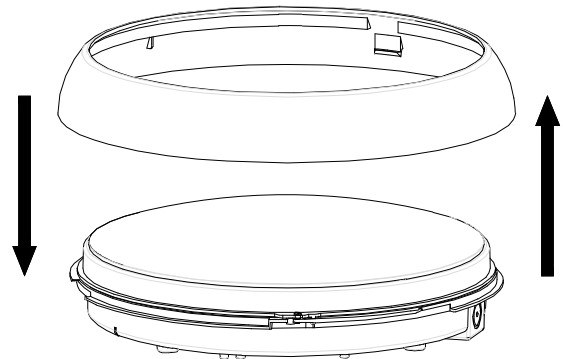
- Input Voltage: 220-240V/AC
- Power Selectable: 9W/14W/18W
- Light Output: 9W - 900lm
14W - 1450lm
18W - 1850lm
- CCT Changeable (switch):
3000K/4000K/6500K
- CRI >80
- IP Rating: IP54
- Protection Class: Class II
- Housing: PC Body & Diffuser
- Operating Temperature: -15°C to +40°C
- Dimensions: Diameter 315mm / Depth 80mm
- Warranty: 5 years



Dimensions:



Clip-on Trim Ring:



CCT & Power Adjustable:

