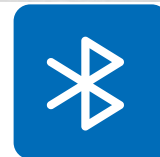
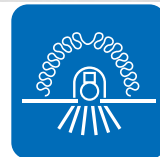
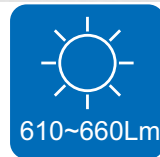


LEDTEK[®]
Energy Saving LED

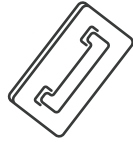


10W Modular all-in-one downlight

Trimless plaster downlight

Anti-glare baffle downlight

LEDTEK Trimless plaster downlight



Ø68-70mm



Key Features

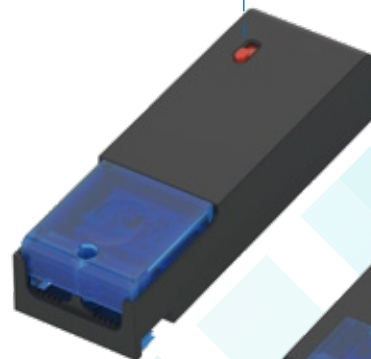
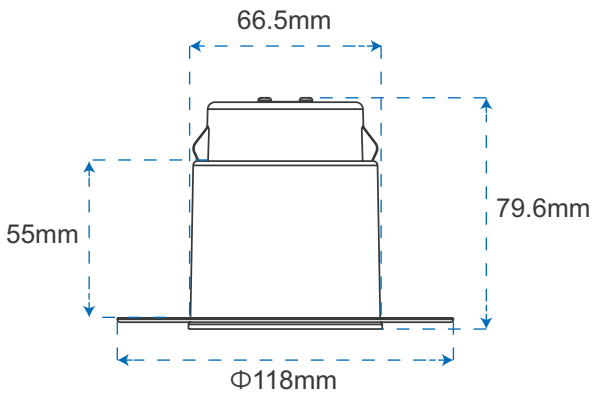
Fire rated 30mins&60mins&90mins

- Ip65 front as standard
- Trimless and baffle accessories available
- Standard Traic dimmable driver and Tuya smart driver available
- Easy installation
- White/Black reflector for selection

White or Black Finish



CCT switch



FR-TFDDR

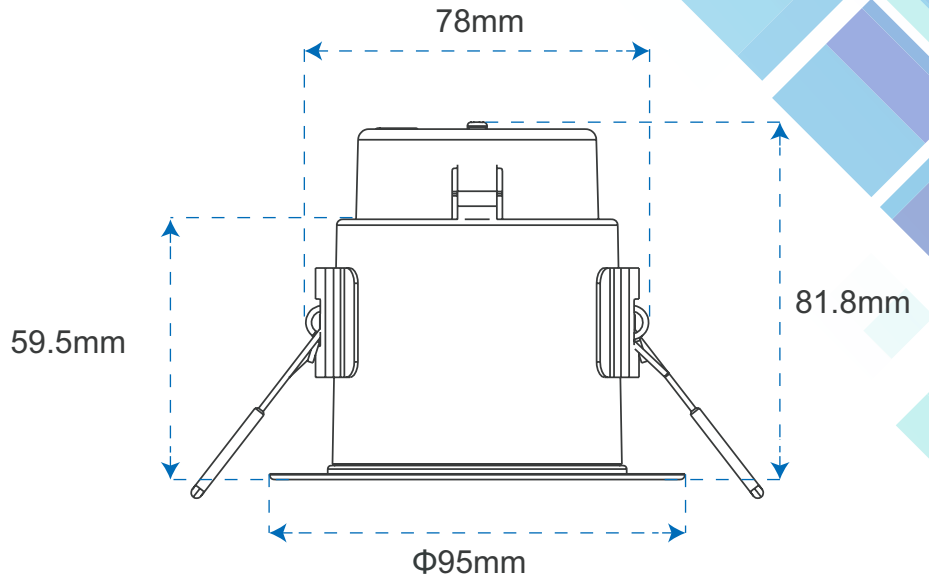


FR-TFWDR

LEDTEK® Anti-glare baffle downlight



White or Black Finish



Dimensions

Item	FR-TFDP(Trimless)/FE-TFDB(Baffle)
Part No.	5RS208 / 5RS264
Power	10W
Lumen	610-660lm
Input	AC 200-240V~50Hz
CRI	80
Beam Angle	38°
Lifespan	50,000hrs
House Material	Metal
PF	0.9

IP	IP65 Front
Cut Out	Φ 68-70mm / Φ 80mm
Driver	Non-isolated / Isolated
Dimmable	Trailing & Leading Edge
Size	Drawing Supplied
Warranty	5 Years
LED	SMD
Switch Cycles	100,000
Insulation Coverable	YES
Standard	CE ROHS