

Kinetic Dimmer Module with Knob

Innovation of Wireless Kinetic Technology

The Quinetic wireless dimmer module is a push type button switch (not rotary) with interchangeable knob, compatible with most dimmers on the market, offering high installation flexibility. It can be used with the standard or with the dimming Quinetic receiving controller. It has a built-in micro energy generator - when the switch is pressed the kinetic system transforms the movement into energy. This transmits a signal to the receiver to turn the lamp or other load on or off. This solves the issue of having to install switch wiring which has been a problem ever since the invention of the lamp.



No Wiring. No Battery. Easy Installation and Usage.

The dimmer module with knob switch can be used from a maximum 25m indoors. There is no longer a need to make holes or channel out for switch lines in the wall if you use the Quinetic wireless switch. The Quinetic switch is safe, convenient and extremely simple to install and use.

Collection of Micro Mechanical Energy

Micro energy acquisition (MEA) module constantly generates energy, thus eliminating the need for a battery or mains power supply.



Press switch to produce kinetic energy.



Internal module collects kinetic energy.



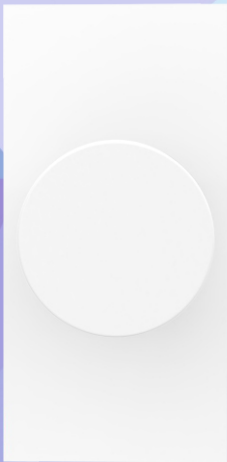
Kinetic energy is converted into electricity.



Communication module transmits signal.



Receiver controls the light.



Low power hardware and highly reliable communication protocol

Energy produced by the Quinetic device is very small, so the communicating hardware adheres to strict requirements on low power consumption, wireless transmission and creates a highly stable environment.

To prevent interference the handshake protocol is integrated with a precise algorithm, a 32-bit address. At every interval communication protocols are sent three times.



Self Powered



No Radiation



No Maintenance



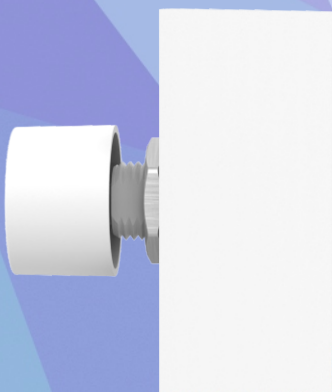
No Wiring



Durable

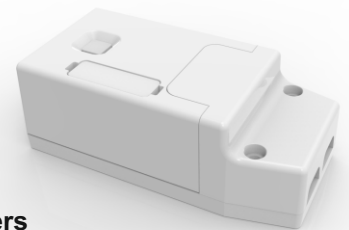
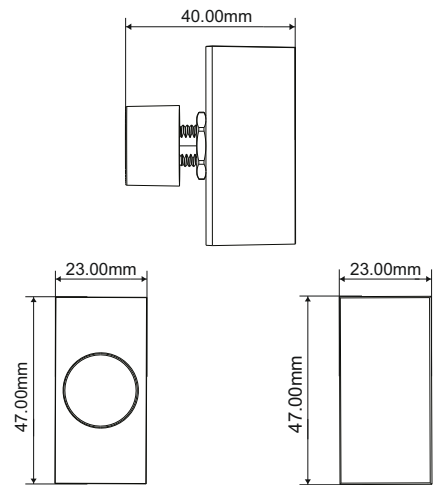


Cost Saving



Kinetic Dimmer Module with Knob Switch Specifications:

- Work Type:** Push Knob Button
- Power Source:** Micro Energy Acquisition and self-powered
- Communication Model:** FSK
- Work Frequency:** 433Hz
- Number of Keys:** 1 (1 gang)
- Life Time:** >100,000 times on/off
- Work Environment Temperature:** -20°C ~ 55°C
- Control Distance:** 25m (indoor), 80m (outdoor)
- Product Dimensions: L23xW40xH47mm
- Control Method:** Pairing with Kinetic Wireless Controller
- 3 Year Warranty**

Dimensions:


Use with Kinetic wireless receiving controllers

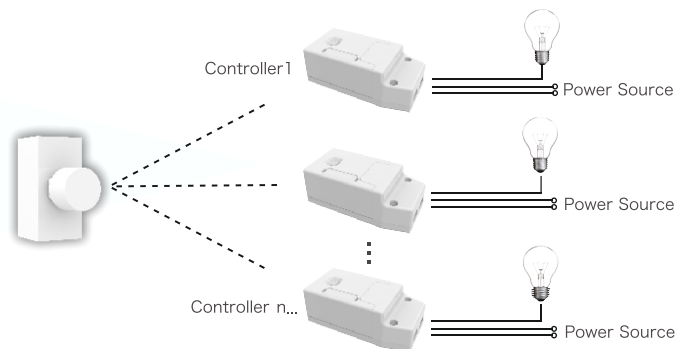
Kinetic Controller Wireless Systems

The wireless Kinetic Dimmer Module with Knob switch and wireless receiving controller can be paired with any combination: a controller can be controlled by a maximum of 10 separate switches, a switch can pair an unlimited number of controllers.

1-Way Wireless System

Single-Multi-Control

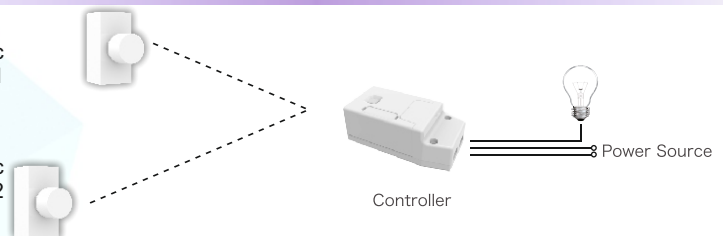
Kinetic Wireless Switch


2-Way Wireless System

Dual Control

Kinetic Wireless Switch 1

Kinetic Wireless Switch 2


3-Way Wireless System

Multi-Single-Control

Kinetic Wireless Switch 1

Kinetic Wireless Switch 2

Kinetic Wireless Switch 10

