

LEDTEK[®]

Energy Saving LED

MB-HB200CCT

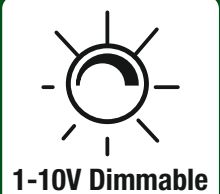
LED High Bay 200W
CCT Changeable



200W
220-240V/AC

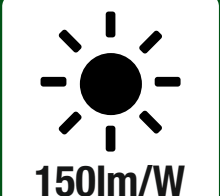
CCT
3000K
4000K
5500K

IP65



120⁰

Beam Angle



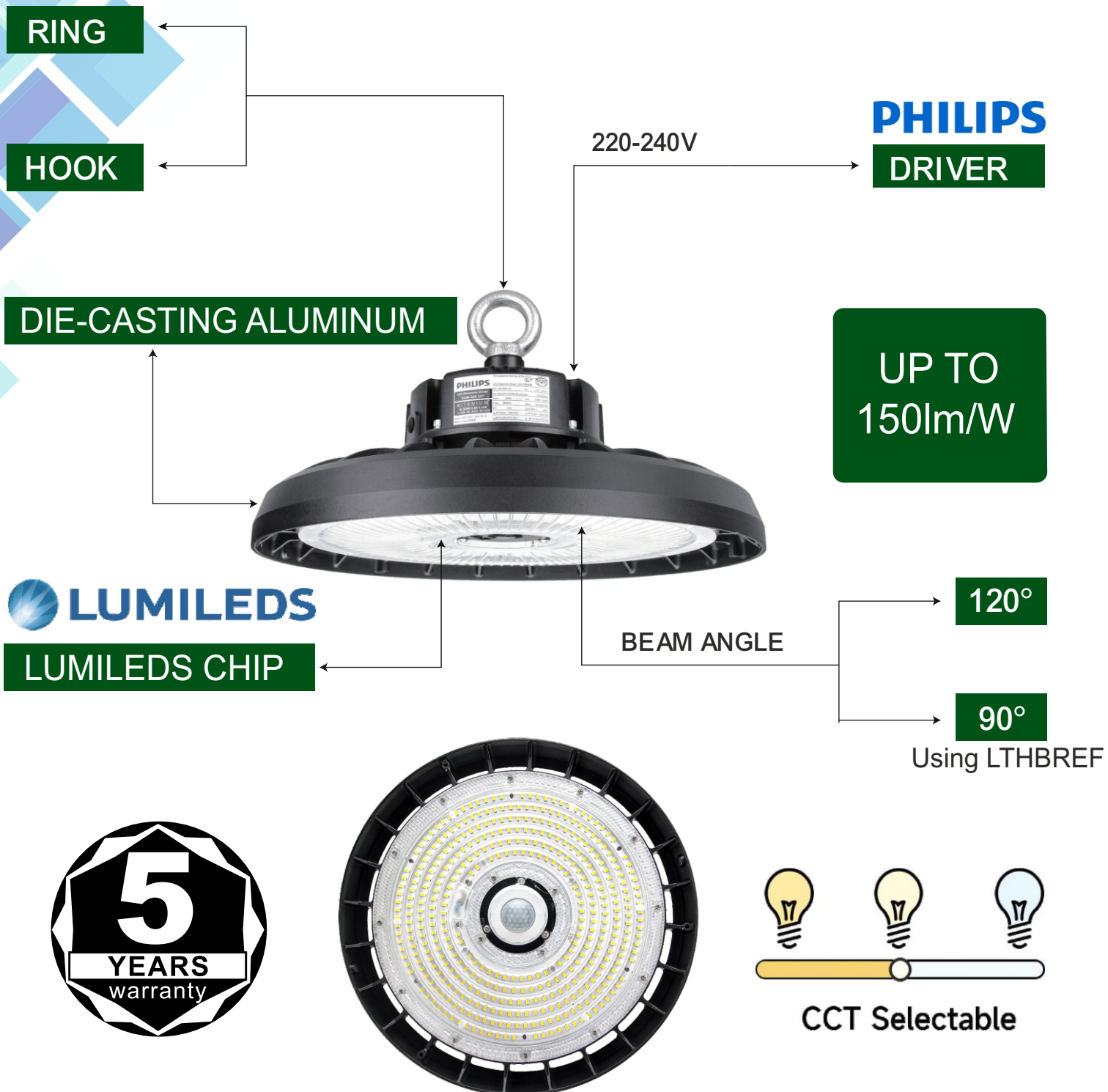
Applications:

- ▶ Retail
- ▶ High Bay
- ▶ Warehouse
- ▶ Industrial Applications
- ▶ Manufacturing
- ▶ Low Bay
- ▶ Gymnasium
- ▶ Commercial
- ▶ Multi-purpose
- ▶ Grocery Stores

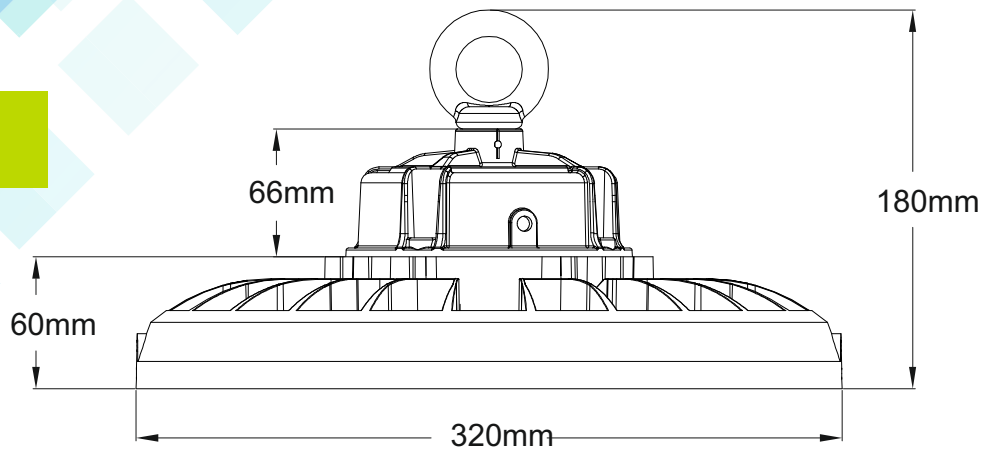


Features & Benefits

- ▶ Unique Slim Design Housing for Thermal Dissipation
- ▶ Tier 1 Light Efficiency up to 150LM/W
- ▶ CCT Selectable with Plug-in Sensor Base
- ▶ Quality PHILIPS Driver for Reliable Performance
- ▶ Full Range of Accessories Available



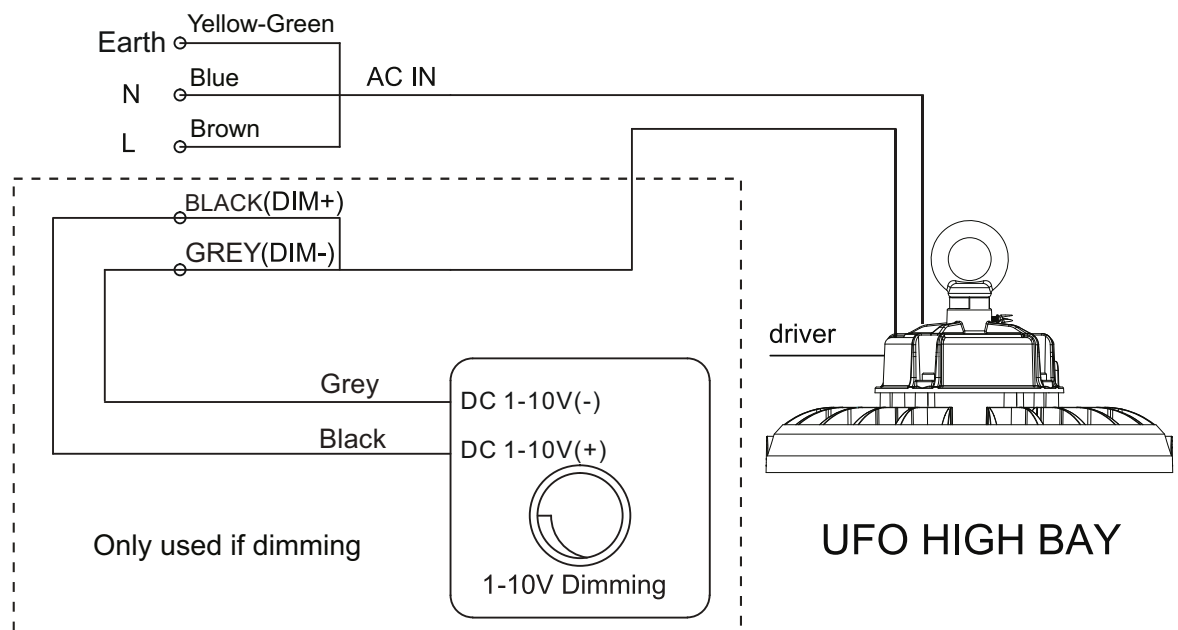
Dimensions:



Specifications:

Part Number:	MB-HB200CCT
Power (W):	200W
Luminous Flux (lm):	30000-34000lm
Input Voltage:	220-240V/AC
CCT Changeable:	3000K-4000K-5500K
Material:	Die-Cast Aluminium
CRI	>80
Beam Angle:	120°
Dimming:	Fixed Output / 1-10V
Mounting:	Hanging / Wall
Warranty:	5 Years
IP Rating:	IP65

Wiring Diagram:



Accessories available:

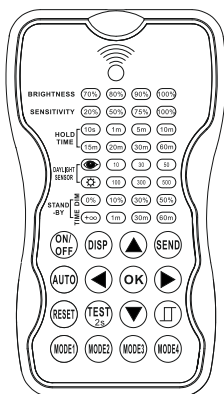
Sensor Base with
CCT Selectable Switch



MG-HBPIR
Plug-in PIR Sensor



MG-HBREM
High Bay Remote Control
for use with MG-HBPIR



MG-HBREF
90° High Bay Reflector



MG-HBSC
Suspension Cable 1m



MG-HBUB
U Bracket