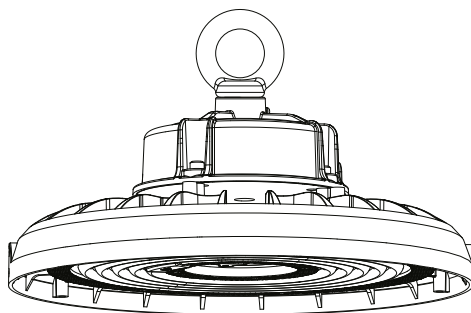


LKHBC-150-PS-CCT ⓘ Installation Sheet

LED High Bay
150W/120W/100W
CCT Changeable



IP65 220-240V/AC

Please read these instructions before commencing installation & retain them for future reference.

Important information

It is recommended that the LED Highbay lights are installed by a qualified electrician ensuring the installation complies to current IEE wiring regulations & local building control.

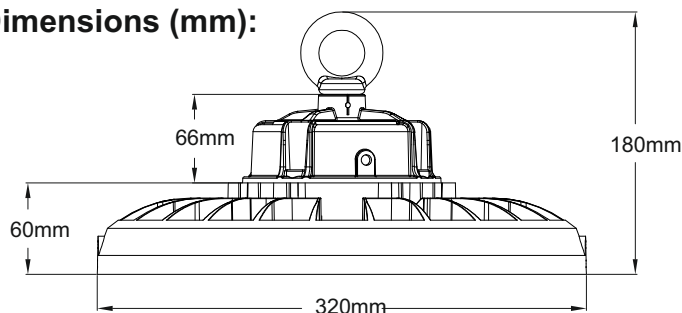
- These products are designed for connection to a 220-240V mains supply
- Any broken or damaged parts should be replaced as soon as possible
- We will not accept responsibility for any claims arising from a poor installation

⚠ ATTENTION:

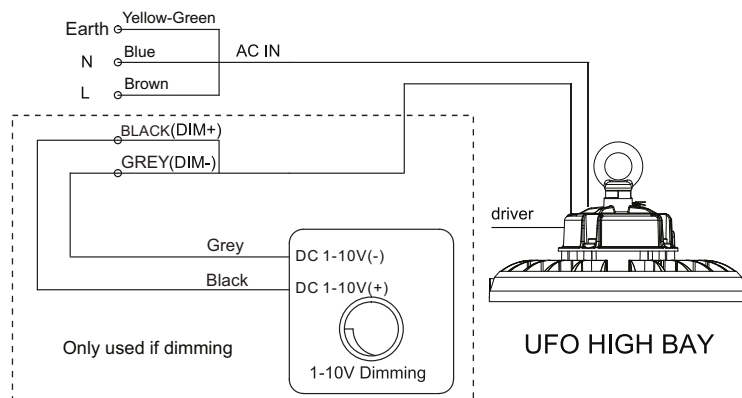
- This high bay comes with 1-10V dimming function
- You can use the dimming cable (+/-) if you want to use the dimming function
- Ignore the dimming cable if you don't want to use this function

SPECIFICATIONS:	
Part Number:	LKHBC-150PS-CCT
Power (W):	150W-120W-100W
Luminous Flux (lm):	up to 24,300lm
Input Voltage:	220-240V/AC
CCT Changeable:	3000K-4000K-5500K
Material:	Die-Cast Aluminium
CRI	>80
Beam Angle:	120°
Dimming:	Fixed Output / 1-10V
Mounting:	Hanging
Warranty:	5 Years
IP Rating:	IP65

Dimensions (mm):



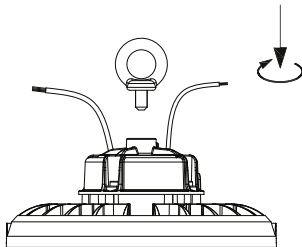
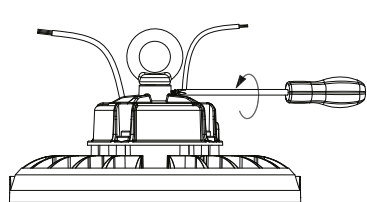
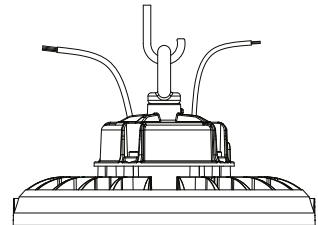
Wiring Diagram:



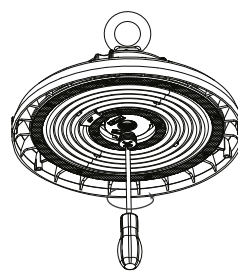
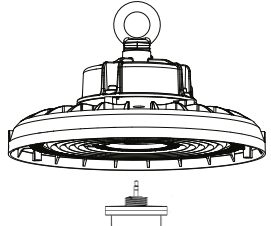
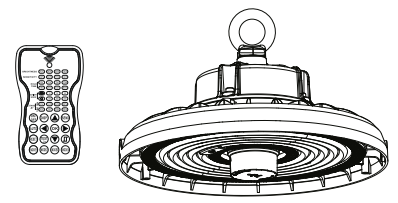
Installation Notice

- Always switch off mains supply before servicing
- Ensure a 220-240V/AC supply voltage
- Ensure correct wiring connection is made to input Live (Brown), Neutral (Blue) and Earth (Green and Yellow) wires
- If dimming (1-10V dimming compatible), connect a suitable dimmer switch to the driver as per the wiring diagram: Black wire is D+, Grey wire is D-
- We recommend electrical connection to an RCD/RCBO protected lighting circuit
- After all electrical connections are finalized switch on electrical supply to test the light

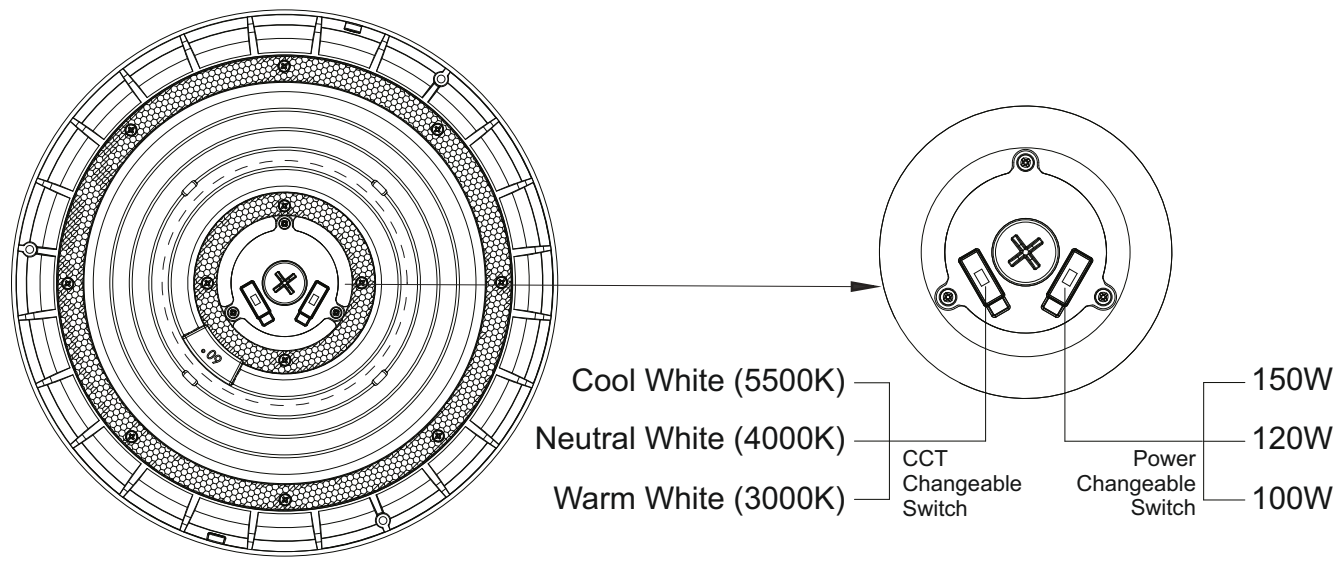
1. Hoop Ring Installation Procedure

<p>1. Install the hoop ring on the power supply.</p> 	<p>2. Tighten its side screws using a screwdriver.</p> 	<p>3. Install the high bay on the hook or suspension wire.</p> 
--	--	--

2. Microwave Sensor Installation Procedure (optional extra - LKANT-5-4T)

<p>1. Unscrew the sensor base plug.</p> 	<p>2. Install the sensor on the sensor base and tighten it.</p> 	<p>3. Use the remote control to set up the sensor. (optional extra - LKHBREM)</p> 
---	---	---

3. CCT Changeable and Power Changeable Function



Cool White (5500K)
 Neutral White (4000K)
 Warm White (3000K)

CCT Changeable Switch

Power Changeable Switch

150W
 120W
 100W