

LEDTEK[®]
Energy Saving LED



LKHBC-150-PS-CCT

LED High Bay Multi Wattage CCT Changeable



PHILIPS
LUMILEDS

- Slim design housing for thermal dissipation
 - Die-cast aluminium heatsink
 - Wattage and CCT selectable
- Philips driver for reliable performance
 - Lumileds chipset
 - IP65 Rating
- Plug-in microwave sensor available

Specifications

- AC220-240V A/C
- Watt selectable 100W / 120W / 150W
- CCT changeable 3000/4000/5500K
- Philips GL driver, 1-10V dimmable
- Lumileds 2835 chipset
- CRI>80
- PC lens
- Beam Angle: 120°
- IP65
- Lumen output-at 4000K
 - 100W - 16566Lm, 183Lm/W
 - 120W - 19952Lm, 180Lm/W
 - 150W - 24296Lm, 175Lm/W

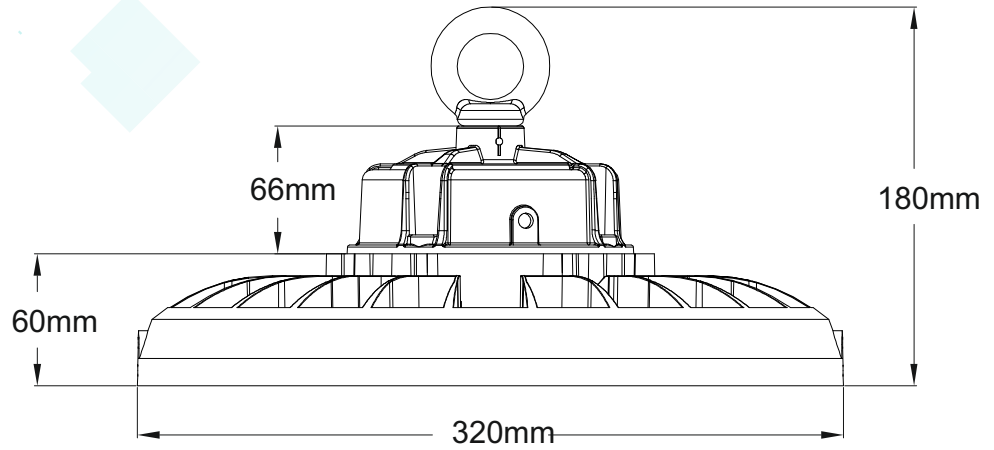


Plug-in
Microwave Sensor
LKANT-5-4T



Remote Handset
LKHBREM

Dimensions



Wiring Diagram

