

### KGDMKR

#### Innovation of Wireless Kinetic Technology

The Kinetic wireless grid switch is compatible with MK grid plus system and can be installed into MK grid plus plates. It can be used with the standard or with the dimming Kinetic receiving controller. It has a built-in micro energy generator - when the switch is pressed the kinetic system transforms the movement into energy. This transmits a signal to the receiver to turn the lamp or other load on or off. This solves the issue of having to install switch wiring which has been a problem ever since the invention of the lamp.

#### No Wiring. No Battery. Easy Installation and Usage.

The grid switch can be used from a maximum 25m indoors. There is no longer a need to make holes or channel out for switch lines in the wall if you use the Kinetic wireless switch. The Kinetic switch is safe, convenient and extremely simple to install and use.

#### Collection of Micro Mechanical Energy

Micro energy acquisition (MEA) module constantly generates energy, thus eliminating the need for a battery or mains power supply.



Press switch to produce kinetic energy.



Internal module collects kinetic energy.



Kinetic energy is converted into electricity.



Communication module transmits signal.



Receiver controls the light.



#### Low power hardware and highly reliable communication protocol

Energy produced by the Kinetic device is very small, so the communicating hardware adheres to strict requirements on low power consumption, wireless transmission and creates a highly stable environment.

The Kinetic switch has a formidable range being effective up to 25m indoors and. To prevent interference the handshake protocol is integrated with a precise algorithm, a 32-bit address. At every interval communication protocols are sent three times.



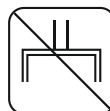
Self Powered



No Radiation



No Maintenance



No Wiring



Durable



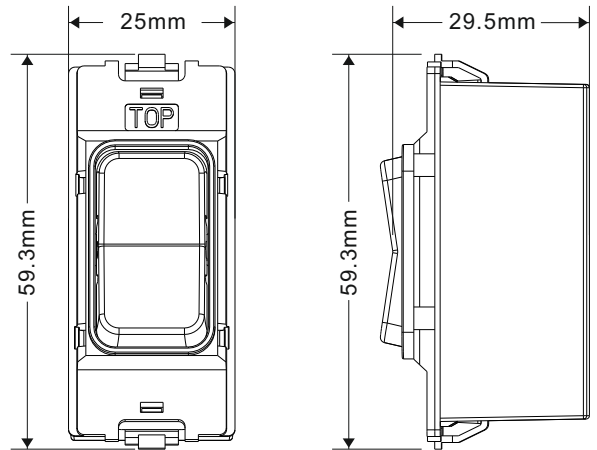
Cost Saving



## Specifications:

- Work Type:** 2 Way Center-off Retractive Push Button
- Power Source:** Micro Energy Acquisition and self-powered
- Work Frequency:** 433MHz
- Number of Keys:** 2 (2 gang)
- Life Time:** >100,000 times on/off
- Work Environment Temperature:** -20°C ~ +55°C
- Control Distance:** 25m (indoor)
- Control Method:** Pairing with Kinetic Wireless Controller
- Compatible with MK Grid Plus Switch Plates**
- Compatible with KRWCS Roller Shutter/Curtains Receiver.**
- 3 Year Warranty**

## Product dimensions:



## Compatible with KRWCS Roller Shutter and Curtains Receiver

When paired with the KRWCS WiFi Roller Shutter and Curtains Receiver, the top button controls L1 output (Motor Forward) and the down button controls L2 output (Motor Reverse) by default.

Press a button to switch between the two states of rotation and stop. If the button in the opposite direction is pressed during the rotation, it will stop for 1 second and then reverse the rotation.

**Controls different kinds of roller shutters or curtains, such as window blinds, roller blinds, venetian blinds.**

