
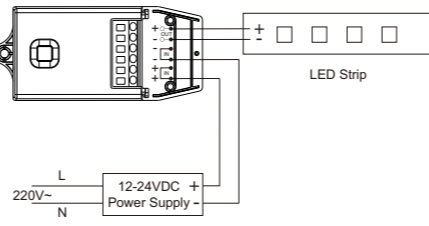


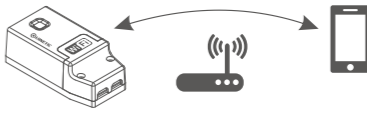
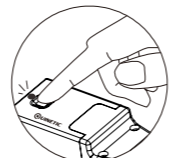
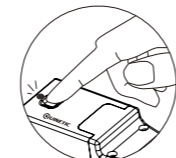
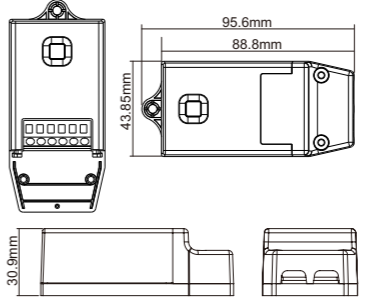


KRWST

WiFi Dimming Controller Instructions 80*60mm

	 <p>KINETIC LED Strip WiFi Dimming Wireless Receiving Controller Installation Instructions</p> <p>KRWST</p> <p>Read all instructions before installation</p>	<p>Specifications</p> <p>LED Strip WiFi Dimming Wireless Receiving Controller Technical Specifications:</p> <p>Product Code: KRWST Operating voltage: DC12-24V Output voltage: DC12 - 24V Working environment temperature: -20°C - +55°C Control distance*: 80m outdoor, 25m indoor Capacity: Up to 10 switches can be paired with one controller</p> <p>Control method: WiFi through Device APP (search "Kinetic Switch" in store) and pairing with Kinetic Wireless Switch (see instructions)</p> <p>Dimming range: 0-100% IP Rating: IP20 Communication method: RF433MHz & WiFi2.4 Ghz</p> <p>Integrated push-in terminals for quicker installation</p> <p>Control Load: 9A Maximum Load: 108W / 12V & 216W / 24V LED Strip</p> <p><small>*Distance comes from Kinetic laboratory test results. The actual distance in practical use might vary due to environmental difference.</small></p>	<p>Wireless receiving controller installation</p> <ol style="list-style-type: none"> 1. Ensure that the power is turned off before installation. 2. The wireless receiver/controller line input should be connected using live and neutral cables from a 12-24V DC power supply. 3. Output lines should be connected to a LED Strip load as per wiring instructions. 4. Use the double-sided adhesive tape or screw to fix the wireless receiving controller. <p>Wiring Instructions</p> 	<p>Smart Device APP Download:</p> <p>The free Kinetic Switch App is required to operate your WiFi controller. Ensure your iOS / Android device is connected to the internet using a Wi-Fi network.</p> <p>Method 1:</p> <ol style="list-style-type: none"> 1. Open the App store/Google Play on your phone. 2. Search for "Kinetic Switch" in the App store or Google Play. 3. Download the Kinetic Switch App to your phone.  <p>Method 2: Or you can download the app using the QR codes below:</p> 	<p>Device pairing*:</p> <p>The initial setup must be performed using your Wi-Fi network. Both the phone and the controller must connect to your network. Once it has been set up you can control your Wi-Fi device via Wi-Fi or 3G/4G from anywhere in the world.</p> <ol style="list-style-type: none"> 1. After downloading the APP follow the prompts to register the account. 2. Turn on power to the controller and follow the steps on the APP to set the receiver to rapidly blink. 3. Follow the prompts to select the controller model for quick pairing.  <p>Using Amazon Alexa/Google Home to control your WiFi Controller</p> <p>Note: We would recommend naming the devices in your Kinetic Switch app something that is easy for Alexa or Google Home to understand.</p>
--	--	--	---	---	--

<p>In order to integrate the Kinetic Switch app with Amazon Alexa/Google Home you need:</p> <ol style="list-style-type: none"> 1) Amazon Alexa APP / Google Home APP 2) Amazon Alexa / Google Home account (users need to register their own account) 3) Echo, Echo Dot, Tap or other Amazon voice-operated devices. 4) Google Home, Google Home Mini or other Google voice-operated devices. <p>Enable Smart Life skill/action in your Alexa / Google Home APP</p> <p>Search for "Smart Life" skill and add it to the Alexa APP "Smart Home" skills. For Google Home search for "Smart Life" action and add it to Home Control. Enable the skill/action in your Alexa/Google APP and input the name and password used to register the Kinetic switch APP to link it with Alexa/Google APP.</p> <p>Voice control can be used now to control the Wifi device such as follows: "Alexa/Ok Google, turn on/off [kitchen light]" "Alexa/Ok Google, set [bed light] to 50 percent" "Alexa/Ok Google, brighten/dim [bedroom light]" "Alexa/Ok Google, turn on [phone charger]"</p>	<p>WiFi controller switch pairing method*:</p> <p>Dimming Wireless Kinetic energy switch and dimming WiFi wireless receiving controller can be paired with any combination: a controller can be controlled by a maximum of 10 separate switches, a switch can pair an unlimited number of controllers.</p> <p>The range of a switch may also be extended by using a second controller and putting it into "Bridging Mode". In order to extend the distance, the second controller must be paired with the switch and located between the switch and the controller that is out of range. The Bridging Mode can be enabled on the second controller by following the pairing steps below (Code Pairing Steps No.6). Once the second receiver is in Bridging Mode and paired with the switch it will forward the signal from the switch to the controller situated outside of controlling range.</p> <p>Code pairing steps:</p> <ol style="list-style-type: none"> 1. Press the function button for 3 seconds and the indicator light begins to flash slowly. Release the button to enter the single pairing state. 2. Press the wireless kinetic energy switch and the indicator light on the controller will go out, which means that the pairing is successful. 	 <p>Press for 3 seconds to enter program mode</p>  <p>Press for 15 seconds to clear memory</p> <ol style="list-style-type: none"> 3. Pressing the switch quickly will turn the light ON/OFF. Keep the switch pressed to dim the light to the desired level. While the switch is pressed the lights will go down from 100%-0% and then will go up 0-100%. **Please note that the dimming range of the controller is slightly shorter when manually operated by the switch compared to the APP dimming range. 4. If you need to add more switches to the same controller repeat the above process; each controller can store up to 10 switches, pairing in formation. 5. Single, double and triple switches follow the same pairing method. 6. In order to put the controller in to bridging mode press the function button for 7 seconds. 	<p>The indicator light will pulse continuously to indicate a successful "bridge". The bridging mode can be toggled off using the same pairing steps.</p> <ol style="list-style-type: none"> 7. If the controller indicator light continues to pulse the controller will still function normally even if used with a single switch. 8. To clear the controller stored pairing information press function button for 15 seconds until the indicator light goes out - the pairing information will be deleted. <p>Precautions:</p> <ol style="list-style-type: none"> 1. The wiring must be done in accordance with the method of installation illustrated. 2. Please note the maximum load of an individual controller. Exceeding this maximum will result in blowing the fuse. 3. The controller has a non-replaceable internal fuse. 4. Do not short-circuit, it may cause permanent damage to the receiving controller. 5. The controller will remain "OFF" after a power cut until reactivated by a switch, saving energy, reducing fire risk and protecting your appliances. 6. Damage caused by incorrect installation and operation are not covered under warranty. <p>Troubleshooting:</p> <ol style="list-style-type: none"> 1. If pairing does not work first check if the indicator is lit. Re-pair in case the pair is lost after power failure. 2. If the receiver does not respond check the LED indicator. If this does not light check the power supply, 	<ol style="list-style-type: none"> 2. WiFi internet pairing fails: confirm the light is flashing quickly (twice per second). If not, please set the light to flash quickly according to connect WiFi method. The router, receiver and phone should be as close as possible (within 5 meters). 3. The receiver is offline in APP: Router connections might reach the upper limit. Some routers allow a maximum of 15 devices. In this case please upgrade the router and close the devices which are not needed. <p>Dimensions:</p> 
--	--	--	--	---