



LEDTEK® User Instructions

3.5W Ultra Slim LED Emergency Bulkhead c/w Self-test Function



Please read these instructions and retain them for future reference.

Important information:

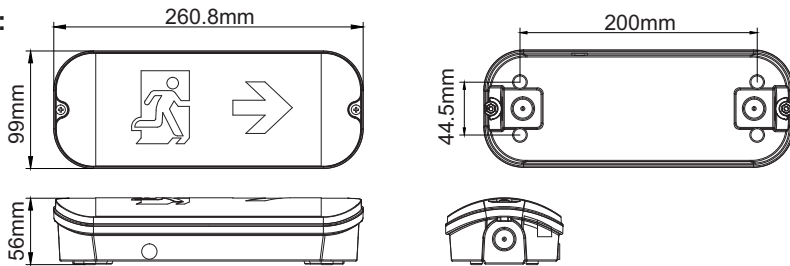
It is recommended that this fitting is installed by a qualified electrician ensuring the installation complies with current IEE wiring regulations & local building control.

- This product is designed for connection to a 220-240V mains supply.
- Only mount on level and stable surfaces.
- We cannot accept responsibility for any claims arising from a poor installation.
- Always switch off mains supply before installation.
- The light fitting is Class II and does not require an earth connection.

Technical Specifications:

- Input Voltage: 220-240V/AC
- Power: 3.5W
- Light Output: 170Lm (charging)
130Lm (discharging)
- Maintained & Non-Maintained
- Test method: Self-test
- CCT: 6500K
- IP Rating: IP65
- Protection Class: Class II
- Housing: PC Body & Cover
- Beam Angle: 120°
- Battery: LiFePO4 3.2V 1500mAh
- Adhesive Legends Included
- Warranty: 3 years (excluding battery)

Dimensions:

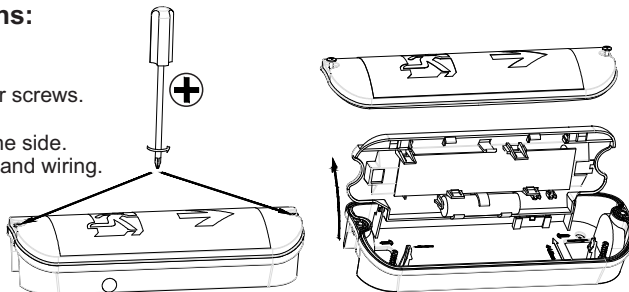


Installation and Wiring Instructions:

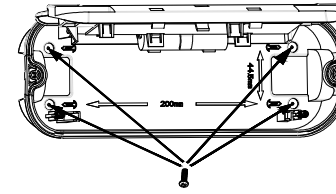
1. Switch off the mains supply.
2. Open the exit box by unscrewing the cover screws.

To release the gear tray, unclip the tabs on the side. The gear tray is hinged for convenient fitting and wiring.

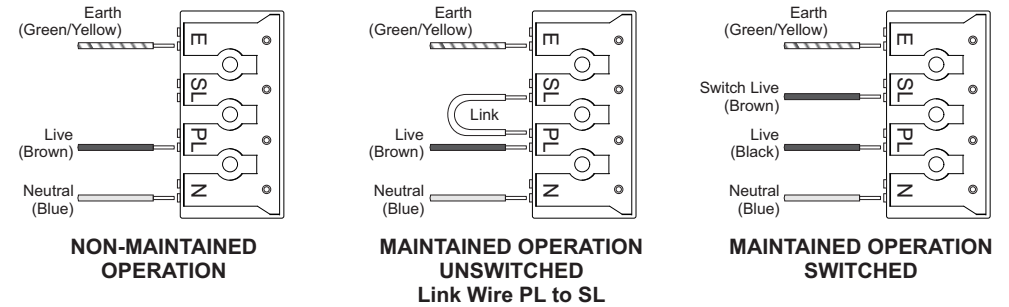
3. Choose a suitable cable entry point on the sides of fitting and drill out the required knockout.



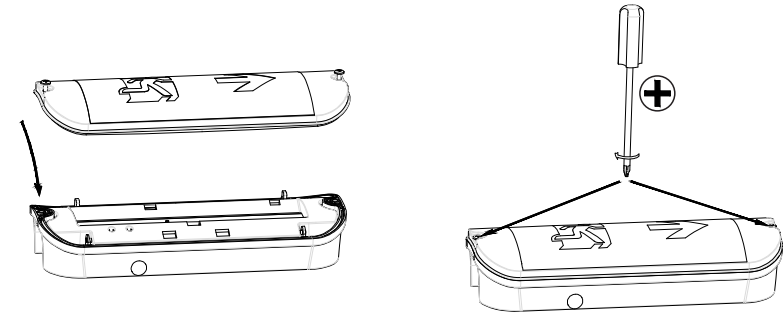
4. The EM-SB3ST bulkhead can be mounted on surfaces using the installation holes. First mark the hole positions using the fitting as a template. Use the screws provided to mount the back plate on the surface.



5. Connect the battery to the PCB and write the installation date on the battery.
6. Feed the cable into the fitting and connect the mains supply to the connection block as per the wiring diagrams below observing the correct polarity:



7. Fix the geartray back into place and secure the front cover using the 2 cover screws.



WARNING:

This fitting MUST be disconnected before installation and when carrying out insulation resistance testing at voltages above 250V. Otherwise irreparable damage may occur to internal components.

Emergency Testing and Battery Maintenance:

- Initial battery charge must be for a minimum of 24 hours before testing.
- To achieve best performance the EM-SB3ST should be tested fully by switching into emergency mode regularly in accordance with local testing regulations. Any warranty claim must be accompanied by documentation which records the dates of this maintenance procedure and signed by maintenance personnel.
- When first connecting to AC power check if the Green LED light is lit confirming that the battery is charging.
- Turn the power off to simulate mains supply failure. The Green LED should go off & the bulkhead will be in emergency mode.
- The battery must be replaced when the unit no longer meets the rated emergency duration or if there is a battery fault.

Self Test Function:

- **Monthly inspection:** The system simulates a power outage every 30 days for 10 seconds. It will return to the mains power state automatically if there is no fault.
- **Annual inspection:** The system simulates a power outage every 360 days and for 3 hours or until the battery power is dissipated. It will return to the mains power state automatically if there is no fault.

Self Test Switch Function:

- **Monthly Test:** Hold the test button for 3 seconds until you hear 2 beeps. The system simulates a power outage for 10 seconds. It will return to the mains power state automatically if there is no fault.
- **Full test:** Hold the test button for 6 seconds until you hear 3 beeps. The system simulates a power outage for 3 hours or until the battery power is dissipated. It will return to the mains power state automatically if there is no fault.

MODE	METHOD	IF	LED INDICATOR STATUS	BEEP SOUND	RESULT
Mains ON	Automatic Monitoring	Battery OK	Green (permanently on)	OFF	Green LED
	Automatic Monitoring	Battery Fault	Red (Flashes every 1 second)	Beep every 45 seconds	Red LED Beep sound
	Automatic Monitoring	LED Fault	Amber (Flashes every 1 second)	Beep every 45 seconds	Amber LED Beep sound

Monthly self test battery discharge (discharge time 10 seconds)	Monthly test mode: Hold test button for 3 seconds, 2 beeps	Battery OK	All indicators OFF	OFF	Green LED
		Battery Fault	Red (Flashes every 1 second)	Beep every 45 seconds	Red LED Beep sound
		LED Fault	Amber (Flashes every 1 second)	Beep every 45 seconds	Amber LED Beep sound

Yearly self test battery discharge (discharge time 3 hours)	Yearly test mode: Hold test button for 6 seconds, 3 beeps	Battery OK	All indicators OFF	OFF	Green LED
		Battery Fault	Red (Flashes every 1 second)	Beep every 45 seconds	Red LED Beep sound
		LED Fault	Amber (Flashes every 1 second)	Beep every 45 seconds	Amber LED Beep sound

Mains Failure	No action needed Exit Box enters 3 hour emergency mode	LED Fault	All indicators OFF	OFF	
---------------	---	-----------	--------------------	-----	--

Notes:

- To turn off emergency mode (when mains failure occurs) press the test button for 10 seconds
- If the battery and LED board fail simultaneously, the red LED will flash.
- Any beep sound will stop once the fault is fixed.
- After repair connect the bulkhead to mains. Press the test button within 1 second for function confirmation.
- Manual test will not affect the monthly and yearly test schedule.

Troubleshooting:

Most failures experienced are not due to the EMSB3ST itself and are caused by improper installation or connection of the unit. Please check that:

- Wires are properly clamped into terminals.
- Installation is done according to the wiring diagram.
- Proper polarities are observed.

Keep a record of maintenance and check regularly to ensure its lifespan and usage.

Luminaire Ref/Location	In Case of difficulty, contact the Installation Engineer:		Tel: _____											
	Lamp Type - LED													
Full Recharge Time 24 Hours			Duration 3 Hours											
ROUTINE TEST RECORD														
Monthly Test	Functional	Functional	Functional	Functional	Functional	Functional	Functional	Functional	Functional	Functional	Functional	Functional	Functional	Functional