



Description

With built in micro-energy acquisition module, the KBP Kinetic Bell push button doesn't require any battery. It converts mechanical energy pressed into electrical energy, activating the wireless signal transmission. Communication mode is RF, no wire is required. The KDB Quinetic doorbell receiver comes with multiple ringtones and adjustable sound volume. The doorbell has a power-off memory function. After power-off, the doorbell can memorize the last set music track and ring volume.

KDB



Kinetic Doorbell Receiver

KBP



Kinetic Bell Push Button

Features

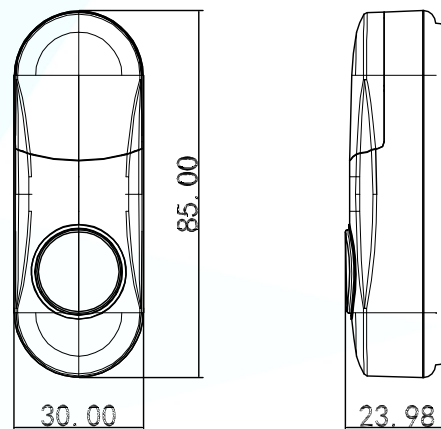
- No battery
 - No wires
 - Exquisite simple design
 - Easy installation
 - 38 Ringtones
 - 4 Volume levels
 - Night Light Mode
 - Up to 10 Bell Push Buttons can be paired with a Doorbell Receiver
 - Each Push Button can have its own ring tone
 - A Bell Push Button can be paired with an unlimited number of Doorbell Receivers
 - The KDB receiver is compatible with KBP bell push button and the KPIR Quinetic PIR.
- The KBP and KDB doorbells are not compatible with other Kinetic switches and controlling receivers.

Specifications

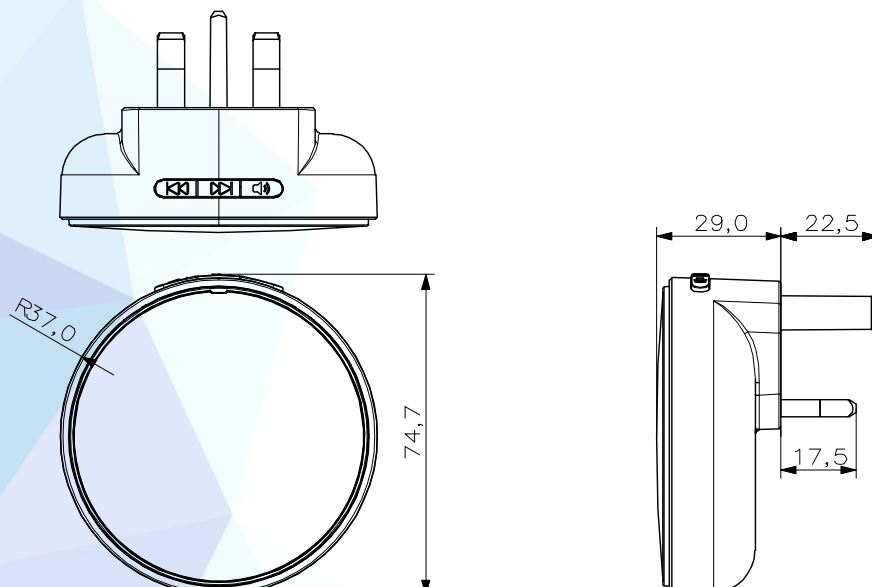
- Operating Voltage: AC220V-240V 50/60Hz
- Power Supply: Self-Powered
- Communication Way: RF 433MHz
- Modulation: FSK
- Working Range: 80m (outdoor) / 30m (indoor)
- Volume Level: 4 levels
- Ringtones: 38 songs
- Temperature Range: Push button (-25°C~+55°C) Receiver (-10°C~ + 55°C)
- KDB Control method: pairing with KBP Quinetic Bell Push Button and KPIR Quinetic PIR
- Storage Capacity:
 - The Doorbell Receiver can be paired with up to 10 bell push buttons/KPIRs
 - One Bell Push Button can be paired with an unlimited number of Doorbell Receivers
- Colour: White

Dimensions (mm)

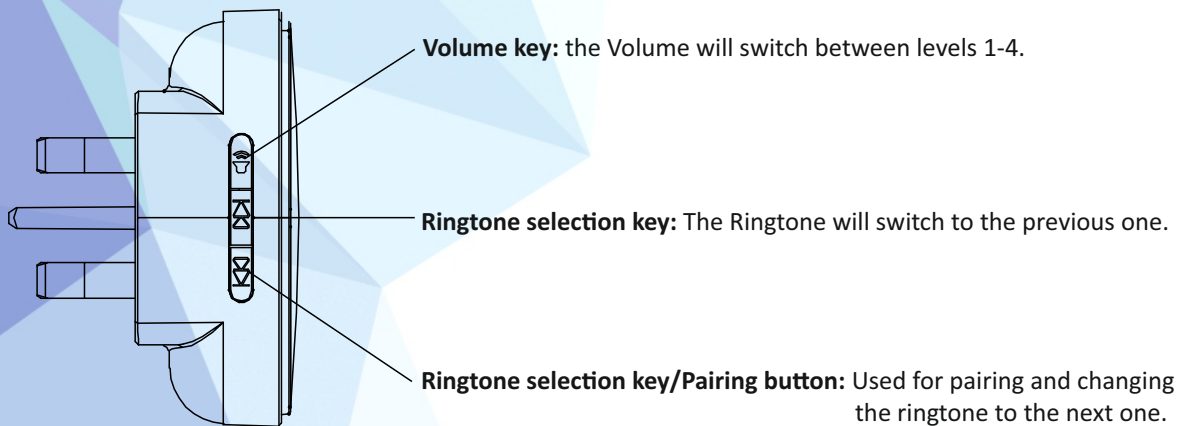
Push Button



Receiver



Receiver Key Functions



Pairing Method

(1) Single push button pairing

Press and hold the ringtone selection/pairing button on the doorbell receiver for about 3 seconds, until the indicator light on the doorbell receiver flashes slowly (1 time per second), then release the button. Press the bell push button once, and the receiver indicator light goes off, indicating a successful pairing. After switching the ringtone on the receiver, the ringtone of the transmitter will be updated accordingly.

(2) Multiple push buttons paired (≥ 2)

After switching to the desired ringtone, press and hold the ringtone/pairing button on the doorbell receiver for about 3 seconds until the indicator light on the doorbell receiver flashes slowly (flashing once per second). Release the button and press the bell push button once. The receiver indicator turns off, indicating that the pairing is successful. Repeat the above steps to pair other push buttons to realize different ringtones for different push buttons. If you need to change the ringtone of the paired push button you need to repeat the above pairing steps after switching to the desired ringtone. Note: When multiple push buttons are paired, all ringing volumes are the same. After switching the ringing volume, the corresponding ringing volume of all push buttons will be changed uniformly.

(3) Silent mode

When the volume is lowest, it defaults to silent mode.

(4) How to clear pairing information

Press and hold the ringtone selection button for about 10 seconds until the indicator light changes from flashing to steady on, and finally turns off. After turning off, release the button. At this time, the pairing information of the doorbell receiver is cleared.

(5) Power off memory

Power on after power off, the doorbell can memorize the last set music track and ring volume.