

3.8W IP65 Self-Test Emergency Bulkhead



EMBH1C-M1

The 3.8W Emergency Bulkhead is an IP65 rated and has a polycarbonate base, a combined diffuser gear tray with quick release restraints and loop-in/loop-out, push release terminals to allow quick and easy installation. It is supplied with multi legend pack and comes with a Lithium Iron Phosphate (LiFePO₄) battery. The automatic self-test version is compliant to BS5266 and all variants can be installed as maintained or non-maintained.

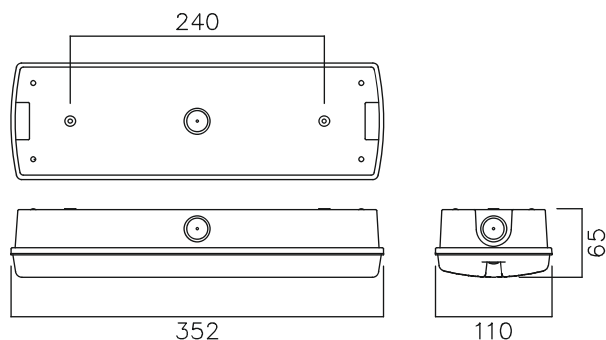
Applications:

- Corridors
- Exits
- Escape routes
- Stairwells
- Final exit doors

Construction:

- White polycarbonate body
- Polycarbonate diffuser
- Wide beam angle and no glare
- Evenly diffused light
- Resistant to shock and vibration
- 20mm conduit entry
- Supplied with a pack of four self-adhesive legends

Dimensions:



Specifications:

- Input Voltage: 220-240V AC
- Rated Power: 3.8W
- 12 pcs 2835 SMD LED Chips
- 3 hours operation on battery power after mains power failure
- CCT: 6500K
- CRI: 80
- Power factor (PF): 0.39
- Double Insulated Class II
- IP Rating: IP65
- Impact protection rating: IK08
- Lumen Output: 180Lm(charging)
130Lm(discharging)
- Battery: LiFePO₄ 3.2V 1500mAh
- Self-Test Function
- Operating Temp.: 0°C to 45°C