

# 3.2W IP65 Emergency Bulkhead EMBH1A



The 3.2W Emergency Bulkhead is an IP65 rated and has a polycarbonate base, a combined diffuser gear tray with quick release restraints and loop-in/loop-out, push release terminals to allow quick and easy installation. It is supplied with multi legend pack and comes with NiCd battery.

## Applications:

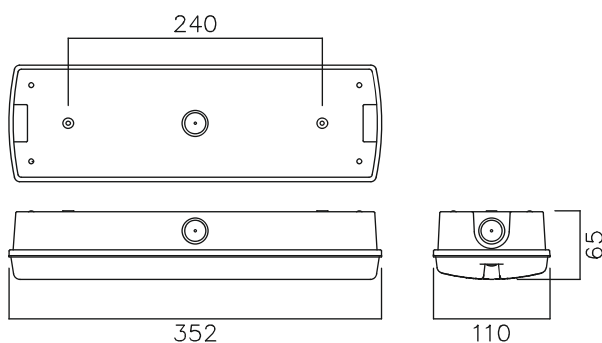
- Corridors
- Exits
- Escape routes
- Stairwells
- Final exit doors

Please note that due to frequency of charge & discharge, batteries are not included in product warranty. NiCd battery cells' performance is affected by temperatures below 0°C.

## Construction:

- White polycarbonate body
- Polycarbonate diffuser
- Wide beam angle and no glare
- Evenly diffused light
- Resistant to shock and vibration
- 20mm conduit entry
- Driver, LED and Battery mounted on the cover
- Supplied with a pack of four self-adhesive legends

## Dimensions:



## Specifications:

- Input Voltage: 220-240V AC
- Rated Power: 3.2W
- 12 pcs 2835 SMD LED Chips
- 3 hours operation on battery power after mains power failure
- CCT: 6500K
- CRI: 80
- Power factor (PF): 0.39
- Double Insulated Class II
- IP Rating: IP65
- Impact protection rating: IK08
- Lumen Output: 180Lm(charging)  
130Lm(discharging)
- Battery: NICD 3.6V 800mAh
- Traditional fitting, with 2 springs
- Operating Temp.: 0°C to 45°C