



WBT2-5FT-S

5ft 80W LED Non Corrosive Weatherproof Fitting - IP65 with Microwave Sensor and Remote Control

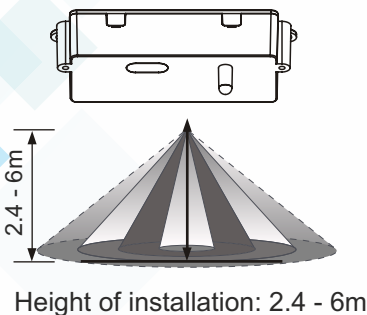
LED Batten lights are designed for the straight replacement of existing 2 x 5ft fluorescent fittings. They come complete with microwave sensor and remote control and are suitable for the most demanding environments, such as multi-storey car parks and workshops.

The sensor adjustable presets include time delay, sensitivity and lux.

Supplied with terminal blocks for series and master-slave wiring. With a smooth and even light distribution it provides up to 50% energy saving against T8 fluorescent.

Sensor Coverage:

Key specifications:

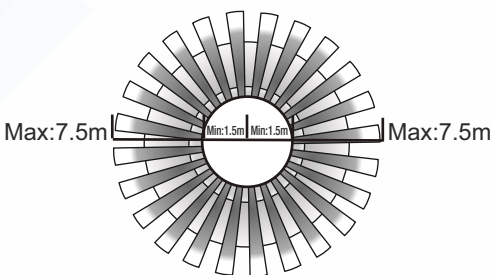


- Voltage Range: 220-240V
- Nom. Watts: 80W
- Lumen Output: 8400lm
- Colour Temp.: 5000K
- IP Rating: IP65
- Warranty: 3 Years
- CRI >80
- Power Factor >0.9
- ABS Base
- Stainless Steel Clips
- Dimensions:
(H)65*(L)1480*(W)118mm

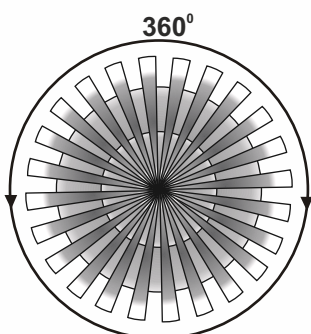
- Not Dimmable
- Remote control
- Series & Master-Slave wiring

Sensor Specifications:

- Detection Range: 3-15m
- Installation Height: 2.4-6m
- Time adjustment: 10sec - 60min
- Detection Angle: 360°
- Maximum Load: LED - 500W
Resistive/Tungsten - 1000W
- Remote control range: up to 10m
- Sensor Override Facility



Detection Range
(installation height 2.4-6m)



Detection Angle

Dimensions:

