

**LEDOTEK**<sup>®</sup>  
Energy Saving LED

# UHB-200W UFO High Bay Lights

IP65

FIVE YEAR  
**5**  
WARRANTY

MW  
MEAN WELL



The UFO Chip High Bay is a perfect combination of packaging and thermal management. The designers focussed on using advanced components and thermal dynamics, giving a smaller, lighter and more powerful solution in an ultra-modern design.

With a beam angle of 120° the UFO high bay is suitable for many applications.

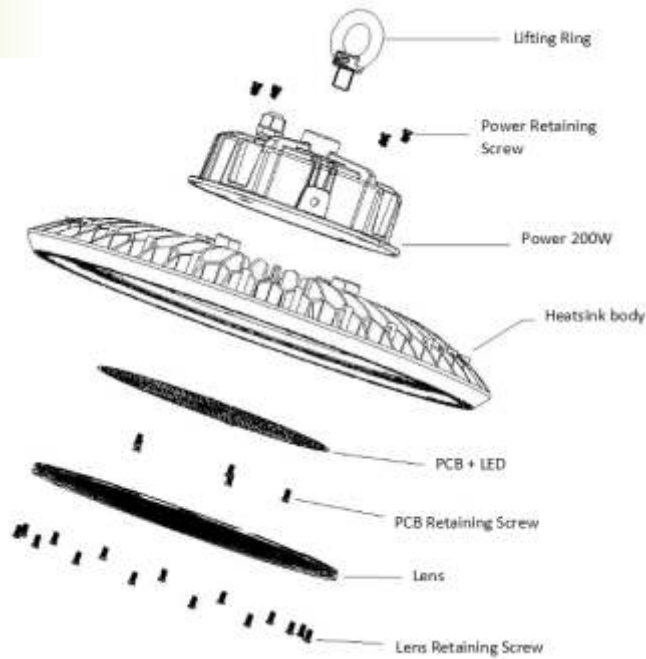
## Specifications:

- Voltage: 220-240V/AC
- Power: 200W
- LED Type: Philips SMD 3030
- Material: Die-Cast Aluminium
- Beam Angle: 120°
- Power Factor >0.95
- Meanwell Driver
- Colour Temp.: 5700K
- Lumen Output: 27000lm
- Dimming: Fixed Output/1-10V
- Mounting: Hanging / Wall
- IP Rating: IP65
- Warranty: 5 Years
- Energy Saving: 90%

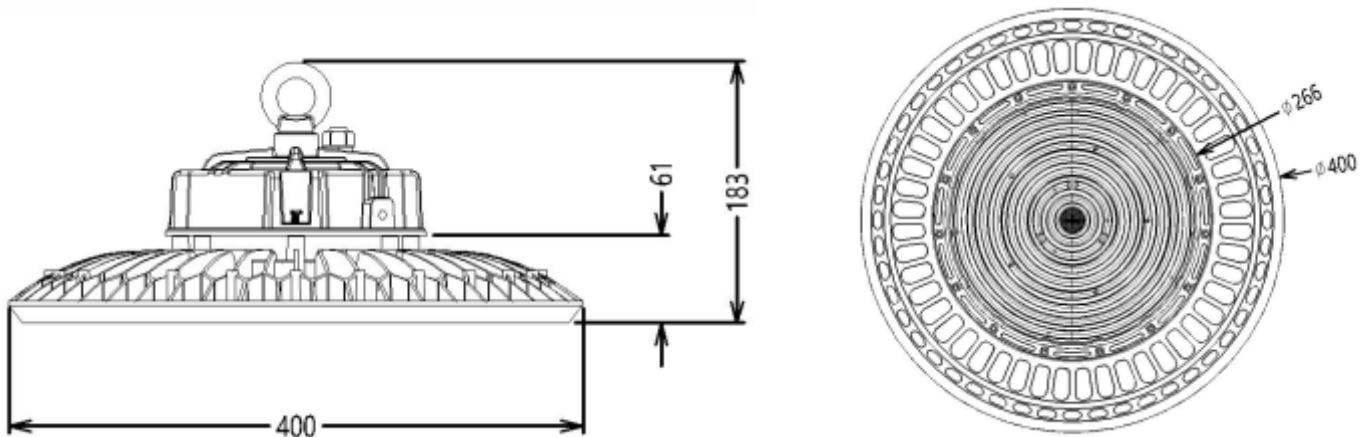


# LEDOTEK® UHB-200W - UFO High Bay Lights

## Exploded View:



## Dimensions(mm):



## UFO LED High Bay Ceiling Mounting:

- Tight the lifting bolt on top of the driver box, then tighten screws to lock the lifting bolt (Fig.1)
- Hang the safety chain on the hook (Fig.2)
- Lock the lifting bolt to the safety chain carefully (Fig.3)

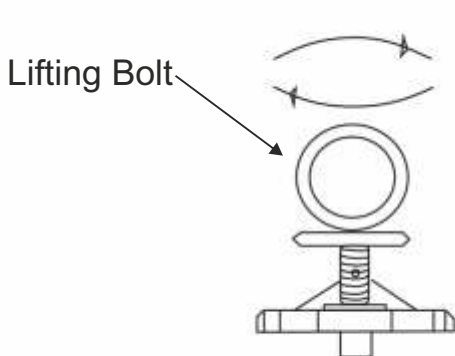


Fig.1

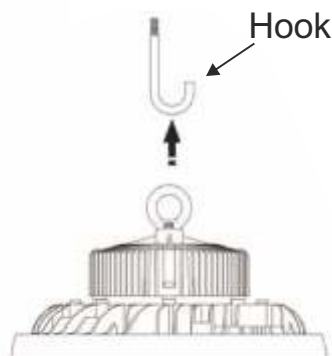


Fig.2

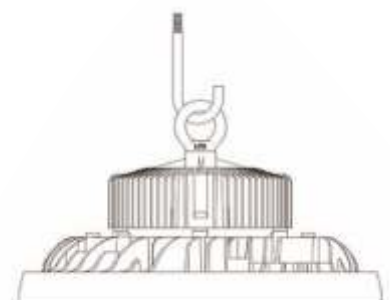


Fig.3