

RWL10 - 10W LED Portable Rechargeable Worklight

IP44 



Please read these instructions and retain them for future reference.

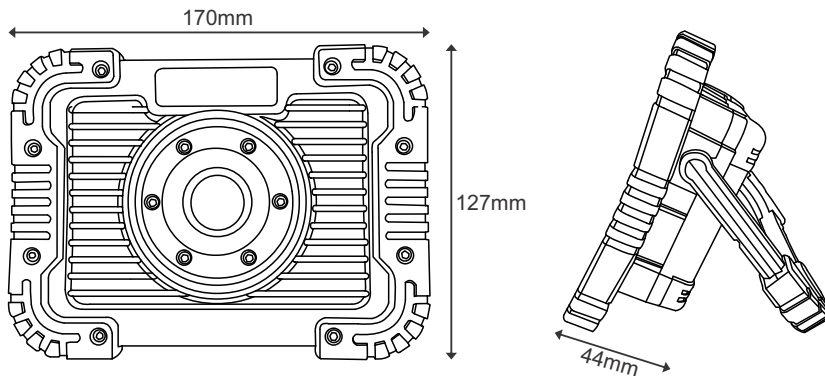
Important information

- Use the supplied USB charging cable when connecting the worklight to the power supply.
- Charge the battery before using.
- When the blue LED indicator light is flashing the battery is being charged. When the blue indicator light is still the battery is fully charged.

Specifications:

- LED Type: 10W COB LED
- Power Source: 4400mAh Rechargeable Lithium Battery
- Material: Nylon, TPR
- IP Rating: IP44
- Mode: ON/OFF
- Brightness: 700 lumens
- Colour Temperature: 6500K
- Dimensions: 170 x 127 x 44mm
- Warranty: 1 Year
- Working Time: 3 Hours
- Charging Time: 6 Hours
- USB Input Charging (Micro USB Charging Cable included)
- USB Output charging facility - 5V, 1A (to charge phones etc from unit)
- Easy ON/OFF Push Button Backside
- Battery Capacity Indicator Light

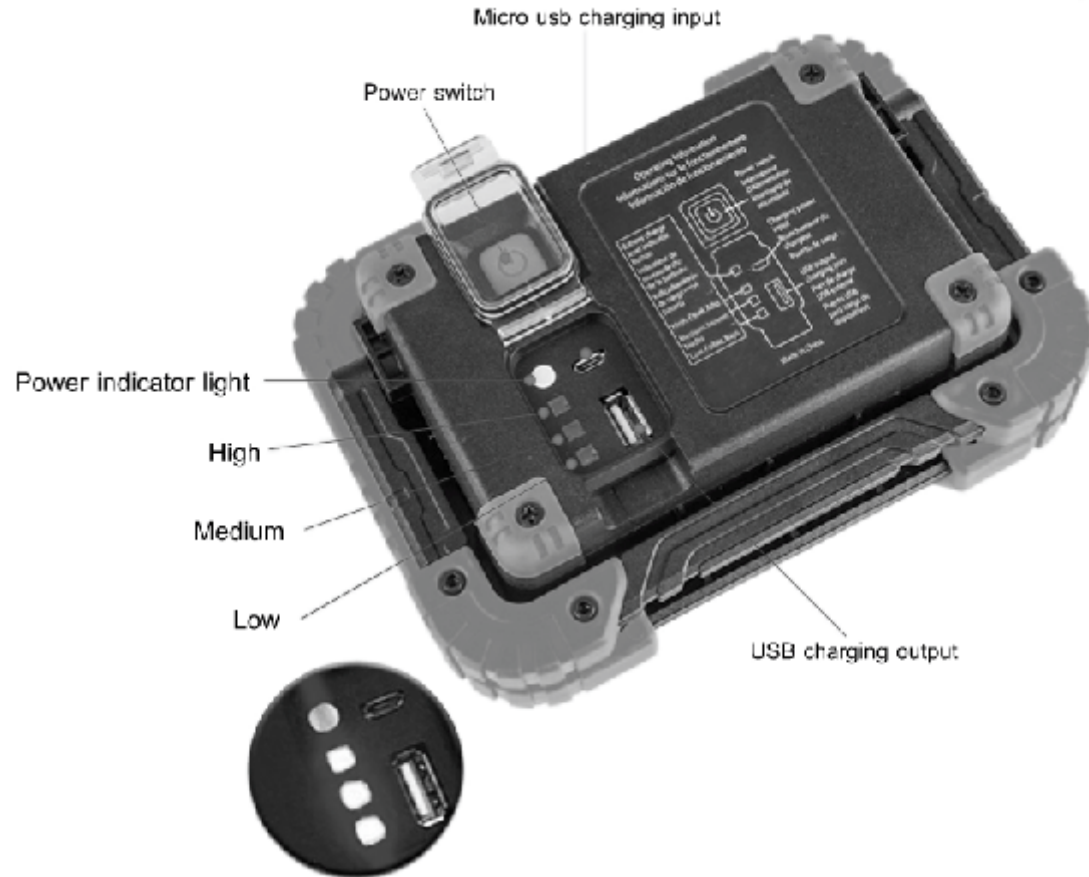
Dimensions:



Instructions for use:

- Press the Power Switch button to turn ON or OFF.
- Press the White Power Indicator button to check battery charge level
- Use Micro USB charging input for battery charge
- Use USB charging output to charge phones etc from unit

Parts & Features:



USB Output Power Bank:



Output voltage	5V
Output current	1A

