

QY100028 (4 light Spotlight)

INSTRUCTION MANUAL

Safety Warnings

This product is only suitable for connection to a 240~50Hz supply in accordance with current IEE wiring Regulations and should be installed in accordance with local Building Regulations and is for Domestic indoor use only (it must be mounted out of arms reach) and is not suitable for a Bathroom location.

This product should be connected to a lighting circuit protected by a 5 amp fuse (or a 6 amp miniature circuit breaker).

If in doubt we recommend you to contact a qualified electrician. Before installing your light fitting always:

Switch off the mains supply and remove the appropriate fuse or switch off the appropriate circuit breaker before commencing installation.

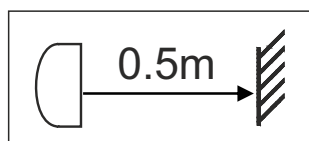
Ensure that no one else has access to the supply such that it could be inadvertently reconnect.

Never fit bulbs of a higher wattage or of a type other than those specified on the label as this may cause overheating and damage the fitting.

The spot heads, and bulbs, become hot during use so please switch off and allow 10 minutes to cool before replacing bulb, adjusting or cleaning.

This product contains glass parts - be careful during handling and maintenance to avoid breakage. Clean with a dry cloth only. Do not use liquid or abrasive cleaners on this product.

The "Minimum Distance" Label on the product - typical format shown below - indicates that lighted objects should not be placed within the distance stipulated on the label. The example label below indicates that lighted objects should not be placed within 0.5m (50cm) of the spotlight to prevent them overheating.



If any modification is made it will invalidate the warranty and may render the product unsafe.

Before you start

Please read this instructions carefully before fitting your new spotlight and retain for reference.

Make sure that there are no pipes or cables beneath the mounting surface.

Check the packaging and make sure that you have all the required parts.

Follow each assembly step in order to prevent incorrect assembly.

Make sure all screws / nuts, including electrical connections etc are fully tightened before use.

This type of light may be connected to a Dimmer but seek advice before purchase.

The product contains a 4 light spot light with connection terminal and GU10 bulb.

The following tools may be required:

Selection of cross and flat head screwdrivers.

Electric drill and assorted drill bits.

Wire strippers.

Diagram 1.

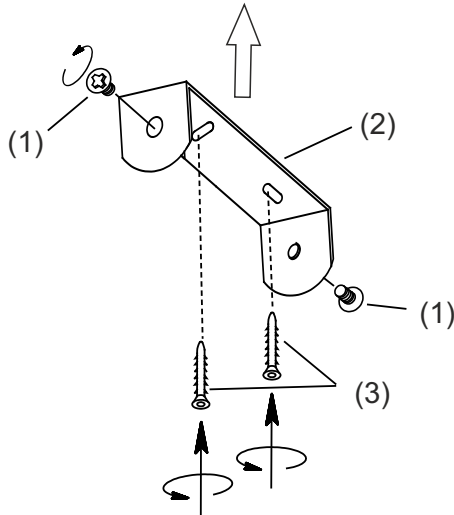
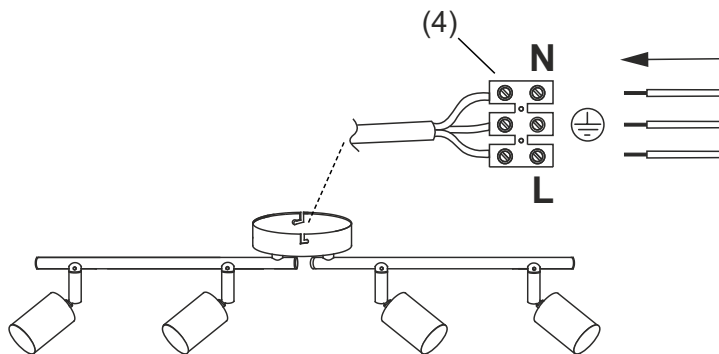


Diagram 2.



Wiring Details

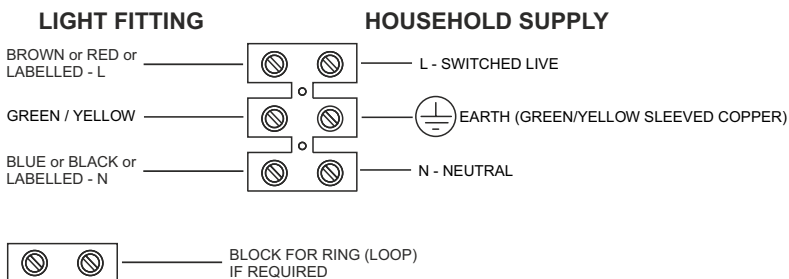
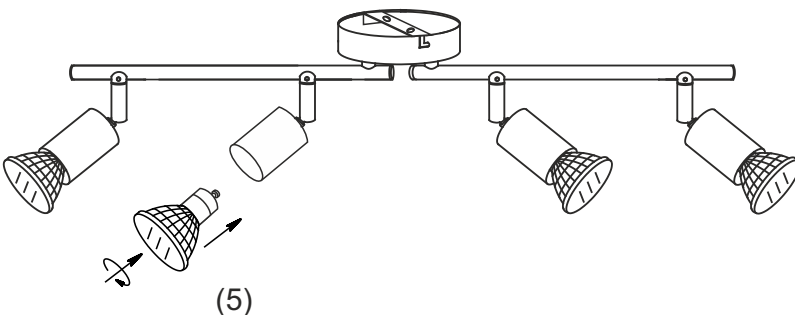


Diagram 3.



1. Decide on the position of the light fitting / or remove existing light fitting. Take a note of the position of the electrical connections. Ensure there is a solid mounting surface, preferably a wooden joist or a joist bridge to support the weight of the light fitting.
2. **Diagram 1.** Remove the fixing bracket by undoing the 2 side screws (1), retain these for re-use.
3. Use the fixing bracket (2) as a template to mark the screw holes, mark the screw holes and secure to the mounting surface with the screws (3) supplied.
4. **Diagram 2.** Support your fitting and connect the house wiring to the terminal block (4) - see wiring details. **NOTE: This is a Class I fitting and must be earthed.** The 4th terminal block connector shown is used for the "loop" wires of the "Ring Circuit". There may be more than one set of cables in the "loop" connections. **If there is a "Ring Circuit" and you do not understand the connections you must consult an electrician.** Any loose terminal blocks - not secured inside the ceiling cup - should always be covered with 2 layers of good quality insulation tape.
5. **Diagram 3.** Secure the fitting back onto the fixing bracket with the 2 side screws removed in 2 above. Make sure that all the internal cables and connections are inside the cup, taking care not to trap or strain the internal cables.
6. Fit the bulbs (5). **NOTE: Never fit bulbs of a higher wattage than those specified on the label (as these may cause overheating and damage the fitting).**
7. Turn on the power and test.

