



Installation Sheet

PL-SPSF70

Surface Mounted Frame for PL-SP70 Panel Lights

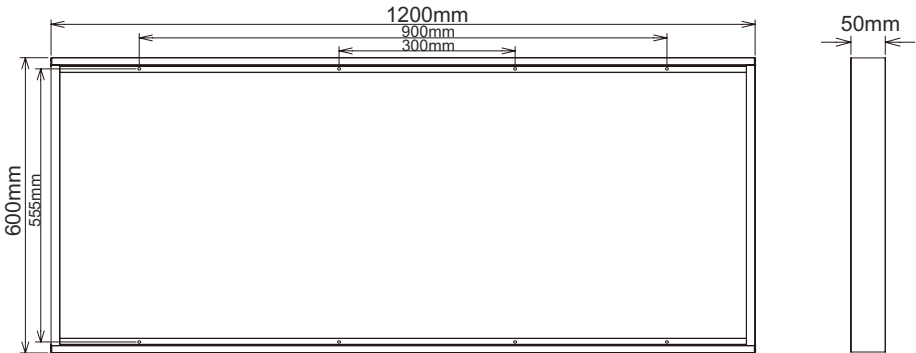
Read these instructions before commencing installation and retain them for future reference.



Important information

It is recommended that luminaires are installed by a qualified electrician ensuring the installation complies to current IEE wiring regulations & local building control. These products are designed for use with PL-SP70 Slim Panel Lights and we cannot guarantee it will be suitable for use with other makes. LEDTek will not accept responsibility for any claims arising from a poor installation. Always switch off mains supply before servicing. This frame is suitable for indoor use only.

Dimensions (mm):



Package contains:



Metal frame
(4 parts)



4 x Connectors



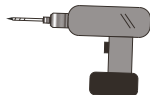
6 x Screws

Installation Procedure:

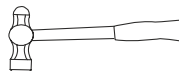
Tools required:



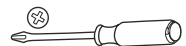
Pencil



Electric drill

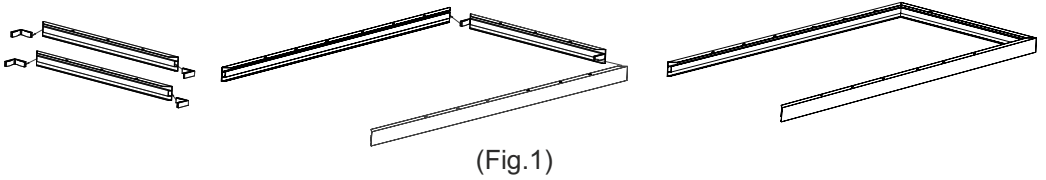


Hammer



Screwdriver

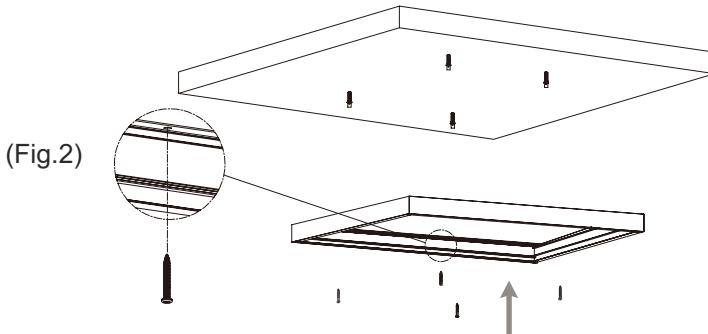
Step 1: Take out the connectors and the aluminium frame from the package and assemble them one by one. Finish assembling a U shape frame. (Fig.1)



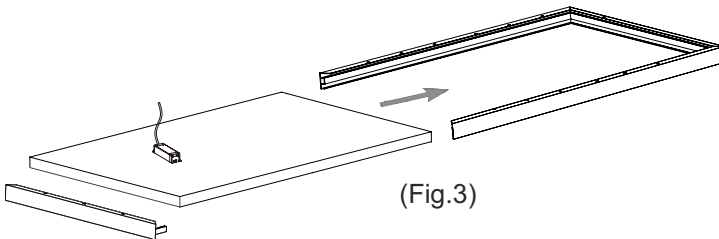
Step 2: Identify the location and direction of any hidden supply cables or service pipes before drilling fixing holes.

Step 3: Using the U shape frame as a guide, mark the position of the fixing holes onto the wall/ceiling surface adjacent to the supply wiring.

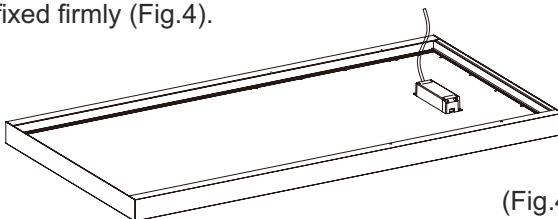
Step 4: Drill holes at the positions marked. Secure the frame to the wall/ceiling using suitable fixings. (Fig. 2)



Step 5: Slide the PL-SP70 Panel Light into the frame (Fig. 3)



Step 6: Add the side panel to cover the end and make sure the panel light and the frame are fixed firmly (Fig.4).



Installed frame & panel