



# 2D LED Lamps

Ledlite's LED 2D lamps are a safe and reliable energy saving alternative to CFL 2D lamps used in bulkhead fixtures. The new LED 2D lamps offer a direct retrofit replacement for 16W 2Pin 2D lamps operated on Magnetic ballast (LTLED2D16) and 28W 4Pin 2D lamps operated on Electronic ballast (LTLED2D28).

The replacement can be completed without any tools or costly upgrade and the LED lamps will deliver huge energy saving and reduced operating costs. They have a classic 2D shape with great light distribution and increased life compared to the compact fluorescent lamps.



**LED2D16**



**LED2D28**



**SPECIFICATIONS:**

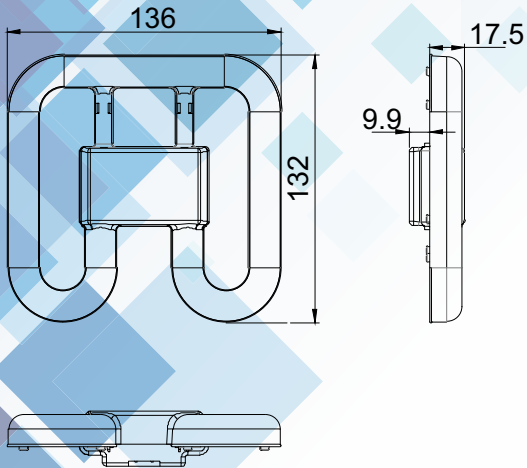
**LED2D16**

**LED2D28**

	LED2D16	LED2D28
<b>Compatibility</b>	Magnetic Ballast	Electronic Ballast (HF)
<b>Power</b>	7W	12.5W
<b>Equivalent</b>	16W CFL	28W CFL
<b>Voltage</b>	220-240 VAC / 50-60Hz	220-240 VAC / 50-60Hz
<b>Base Type</b>	GR8(2 Pins)	GR10q(4 Pins)
<b>Input voltage (VAC)</b>	220-240 VAC	220-240 VAC
<b>Input Current</b>	35mA	350mA
<b>Colour Temperature</b>	White - 3500K	White - 3500K
<b>CRI (Ra)</b>	>80	>80
<b>Luminous Flux</b>	±800 lumens	±1500 lumens
<b>Power Factor</b>	0.9	0.9
<b>Beam Angle</b>	120° x 130°	120° x 130°
<b>Working Temp.</b>	-10°C ~ +40°C	-10°C ~ +40°C
<b>IP Rating</b>	IP20 ( Indoor only)	IP20 ( Indoor only)
<b>Dimmable</b>	Non-Dimmable	Non-Dimmable

## Dimensions (mm):

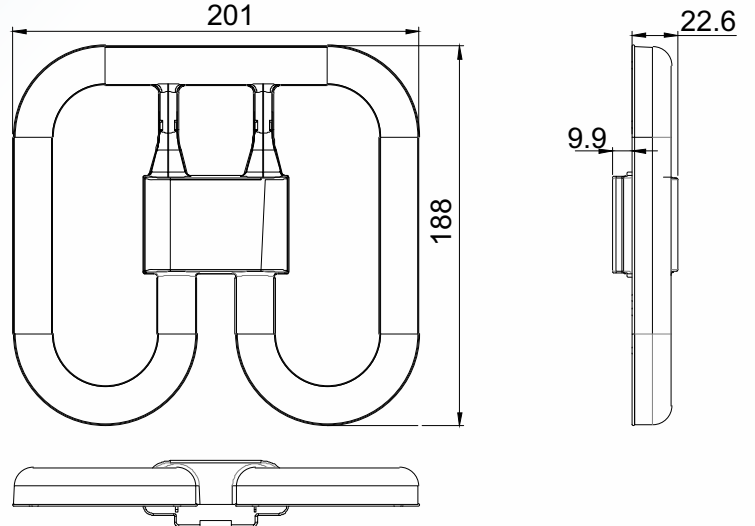
### LED2D16



GR8



### LED2D28

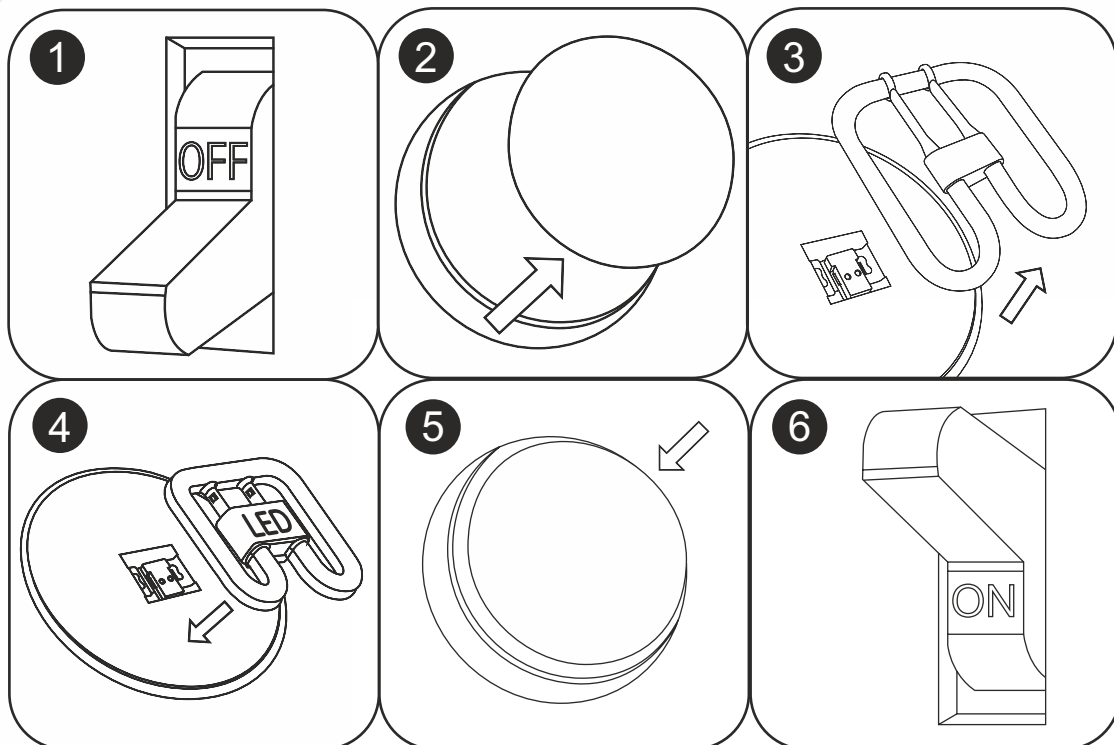


GR10q



## Installation Guide:

Ledlite's LED 2D lamps are a direct retrofit replacement for 16W 2Pin 2D CFL lamps operated on Magnetic ballast (LED2D16) and 28W 4Pin 2D CFL lamps operated on Electronic ballast (LED2D28).



The 2D LED lamps are not intended to be used with dimmers and emergency light luminaires. These LED 2D lamps are not suitable for direct connection to the mains. Bypassing the original ballast will result in safety and regulation issues.