

# LEDTEK®

Energy Saving LED

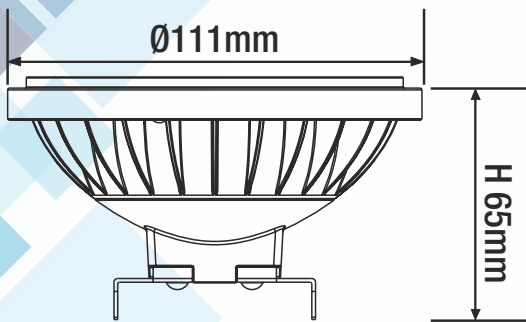
## UPRCOB8 UPRCOB13



## COB LED AR111 Lamps

LED AR111 lamps with heat conductive plastic body for lighter body and better heat dissipation. Applications: meeting rooms, school classrooms, office buildings, hospitals, factories, hotels, supermarkets, home lighting, other commercial and residential locations.

### Dimensions (mm):



### Key specifications:

- Input Voltage: DC 12V
- Lamp Base: G53
- LED Type: COB LED
- Housing: Heat Conductive Plastic
- Power: 8W (50W halogen equivalent)  
13W (75W halogen equivalent)
- Lumen Output: 9W ±650lm  
13W ±850 lumens
- Colour: 3000K
- Beam angle: Spot - 12° / Medium Spot - 24°
- CRI: >80
- Dimmable with selected dimmers

