



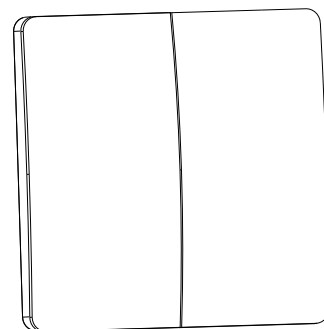
## Dimmable Kinetic Weatherproof Wireless Switch

Installation Instructions



Self Powered No Radiation No Maintenance No Wiring Durable Cost Saving

Read instructions carefully before installation



### Product Description

IP67 rated. Its push button style allows for both an on-off option or a dimmable action depending on the Kinetic controller used to pair it with. The switch utilises macro-energy technology, thus is wireless and has no requirement for batteries or another power source.

### Available Models



### Specifications

**Product model:** KWS  
**Switch Type:** Push button switch  
**Number of keys:** 1-3 keys  
**Power mode:** Kinetic energy self-power (no battery)  
**Operational life:** 200,000 switchings  
**Operating frequency:** 433MHz  
**IP Rating:** IP67  
**Control distance\*:** 80m (outdoor) 25m (indoor)  
**Control Method:** Pairing with Kinetic Controller  
**Installation:** Permanently fixed or placed on wall using self adhesive 3M tape (supplied)  
**Working Temperature:** -10°C ~ +40°C  
**Warranty:** 3 Years  
\* Distance comes from Kinetic laboratory test result. The actual distance in practical use might vary due to environmental difference.

Every Kinetic product has passed a strict quality inspection before it leaves the factory. Kinetic provides 3 years warranty if installed & used in accordance with these instructions. Within the 3 years warranty period, Kinetic will be responsible for the repair, free replacement of parts or entire product.

### Weatherproof Protection

This switch is IP67 rated & can be used externally. Do not install underwater.

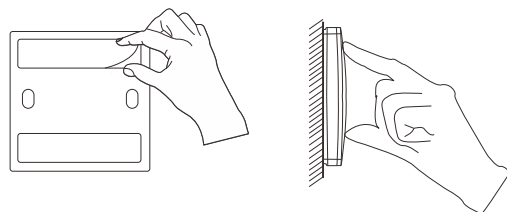
### Dimmable Kinetic Weatherproof Switch Operation:

The dimmable Kinetic IP67 switch must be paired with the dimmable Kinetic controller (see controller instructions for more details about pairing). Pressing the switch quickly will turn the light ON/OFF. Keep the switch pressed to dim the light to the desired level. While the switch is pressed the lights will go down from 100%-0% and then will go up 0-100%. The switch can also be paired with a non-dimmable controller for on/off use only.

### Switch Installation

#### Method 1:

Use the double-sided adhesive tape supplied to mount the switch on a stable, smooth and clean surface such as glass, marble and ceramic tiles.



1

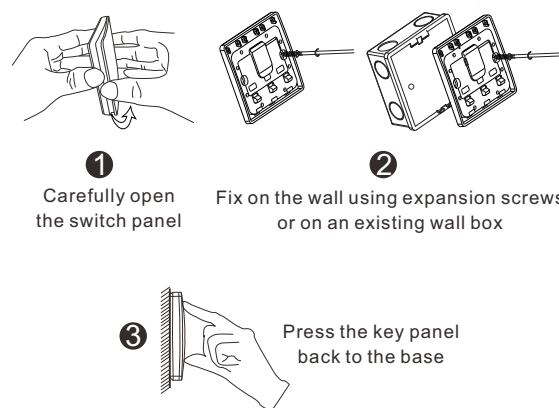
Attach double-sided tape to the back

2

Stick the switch on a clean surface

#### Method 2:

Carefully open the switch panel as shown in the figure below and fix the switch on the wall using screws or fix the switch on an existing wall box.



1

Carefully open the switch panel

2

Fix on the wall using expansion screws or on an existing wall box

3

Press the key panel back to the base

### Troubleshooting

After pairing if the switch only turns a light OFF or only dims, unpair by pressing the controller pairing key for about 10 seconds until the indicator light goes off.

Pair again following the controller instructions and check for correct operation.

### Dimensions

