

Dimmable Kinetic Wireless Switch - White

The IP67 Dimming Kinetic Weatherproof Wireless Switch has a formidable range being effective up to 25m indoors and 80m outdoors. Its push button style allows for both an on-off option or a dimmable action depending on the Kinetic controller used to pair it with. The IP protection level is IP67 and it can prevent the damage of the switch from rain or from water spray in daily life.

The switch utilizes macro-energy technology, thus is wireless and has no requirement for batteries or another power source.

1 Gang White
KWS1W



2 Gang White
KWS2W



3 Gang White
KWS3W



Dimmable Kinetic Wireless Switch

Innovation of Wireless Kinetic Technology

The Kinetic wireless switch has a built-in micro energy generator. When the switch is pressed the kinetic system transforms the movement into energy. This transmits a signal to the receiver to turn the lamp or other load on or off. This solves the issue of having to install switch wiring which has been a problem ever since the invention of the lamp.

No Wiring. No Battery. Easy Installation and Usage.

There is no longer a need to install back boxes, make holes or channel out for switch lines in the wall if you use the Kinetic wireless switch. It can be installed/placed anywhere you want: glass, marble, ceramic tile and other smooth surface, flat wall surfaces such as painted wall, etc. The Kinetic switch is safe, convenient and extremely simple to install and use.

Dimmable Kinetic Wireless Switch operation

The dimmable Kinetic switch can be paired with the dimmable Kinetic receiving controllers or with any standard Kinetic controller and socket adaptor - see controller instructions for more details about pairing. Pressing the switch quickly will turn the light ON/OFF. Keep the switch pressed to dim the light to the desired level. While the switch is pressed the lights will go down from 100%-0% and they will go up 0-100%.



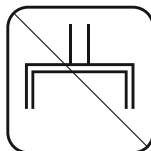
Self Powered



No Radiation



No Maintenance



No Wiring



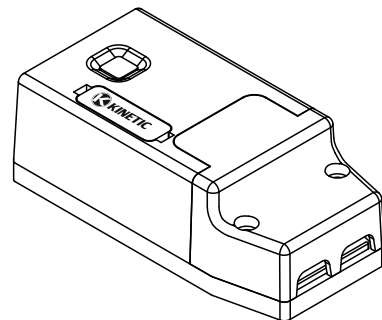
Durable



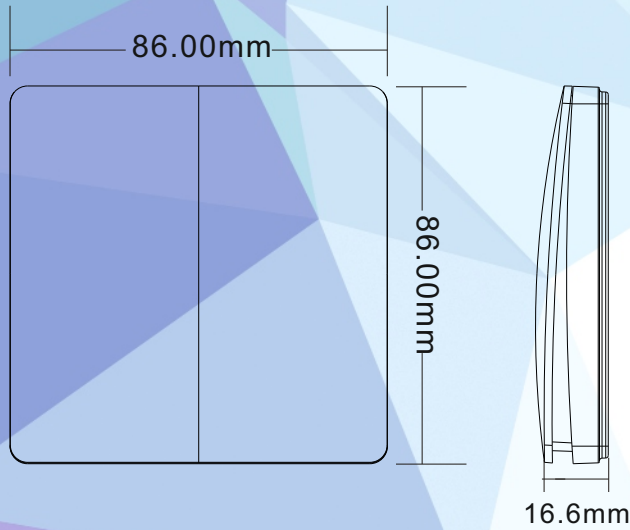
Cost Saving

Dimmable Receiving controller

- Can stand 380V AC electric current for 24 hours, over voltage (<600V) will not damage it.
- Advanced RF technology, multiple algorithm ensures telecommunication stability.
- For each press and radio transmission, the channel is occupied by the wireless signal for only 1 millisecond, and each transmission is done with 3 septal frames; the control is stable and reliable.
- 32 bit device ID, 4 billion keys, chance of miss control is extremely low.



Product dimensions:



KWS1W IP67 Kinetic Wireless Switch Specifications:

- Product model:** KWS1W
- Switch Type:** Push button switch
- Number of keys:** 1-3 keys
- Power mode:** Kinetic energy self-power (no battery)
- Operational life:** 200,000 switchings
- Operating frequency:** 433MHz
- IP Rating:** IP67
- Control distance*:** 80m (outdoor) 25m (indoor)
- Control Method:** Pairing with Kinetic Controller
- Installation:** Permanently fixed or placed on wall using self adhesive 3M tape (supplied)
- Working Temperature:** -10°C ~ +40°C
- Warranty:** 3 Years

*Distance comes from Kinetic laboratory test result. The actual distance in practical use might vary due to environmental difference.

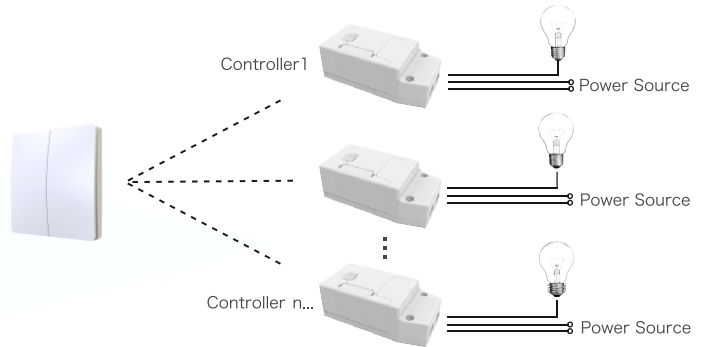
Kinetic Controller Wireless Systems

The wireless Kinetic energy switch and wireless receiving controller can be paired with any combination: a controller can be controlled by a maximum of 10 separate switches, a switch can pair an unlimited number of controllers.

1-Way Wireless System

Single-Multi-Control

Kinetic Wireless Switch

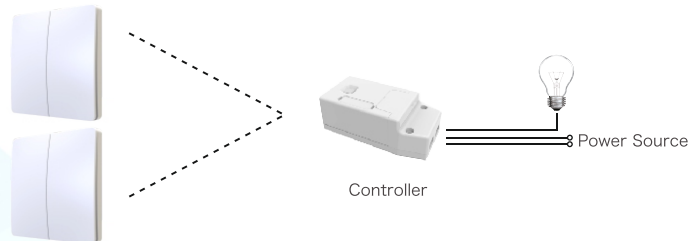


2-Way Wireless System

Dual Control

Kinetic Wireless Switch 1

Kinetic Wireless Switch 2



3-Way Wireless System

Multi-Single-Control

Kinetic Wireless Switch 1

Kinetic Wireless Switch 2

Kinetic Wireless Switch 10

