

The IP67 Dimming Kinetic Weatherproof Wireless Switch has a formidable range being effective up to 25m indoors and 80m outdoors. Its push button style allows for both an on-off option or a dimmable action depending on the Kinetic controller used to pair it with. The IP protection level is IP67 and it can prevent the damage of the switch from rain or from water spray in daily life.

The switch utilizes macro-energy technology, thus is wireless and has no requirement for batteries or another power source.

1 Gang Black
KWS1B



1 Gang Silver
KWS1S



2 Gang Black
KWS2B



2 Gang Silver
KWS2S



3 Gang Black
KWS3B



3 Gang Silver
KWS3S



Dimmable Kinetic Wireless Switch

Innovation of Wireless Kinetic Technology

The Kinetic wireless switch has a built-in micro energy generator. When the switch is pressed the kinetic system transforms the movement into energy. This transmits a signal to the receiver to turn the lamp or other load on or off. This solves the issue of having to install switch wiring which has been a problem ever since the invention of the lamp.

No Wiring. No Battery. Easy Installation and Usage.

There is no longer a need to install back boxes, make holes or channel out for switch lines in the wall if you use the Kinetic wireless switch. It can be installed/placed anywhere you want: glass, marble, ceramic tile and other smooth surface, flat wall surfaces such as painted wall, etc. The Kinetic switch is safe, convenient and extremely simple to install and use.

Dimmable Kinetic Wireless Switch operation

The dimmable Kinetic switch can be paired with the dimmable Kinetic receiving controllers or with any standard Kinetic controller and socket adaptor - see controller instructions for more details about pairing. Pressing the switch quickly will turn the light ON/OFF. Keep the switch pressed to dim the light to the desired level. While the switch is pressed the lights will go down from 100%-0% and they will go up 0-100%.



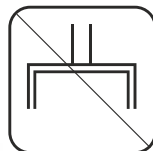
Self Powered



No Radiation



No Maintenance



No Wiring

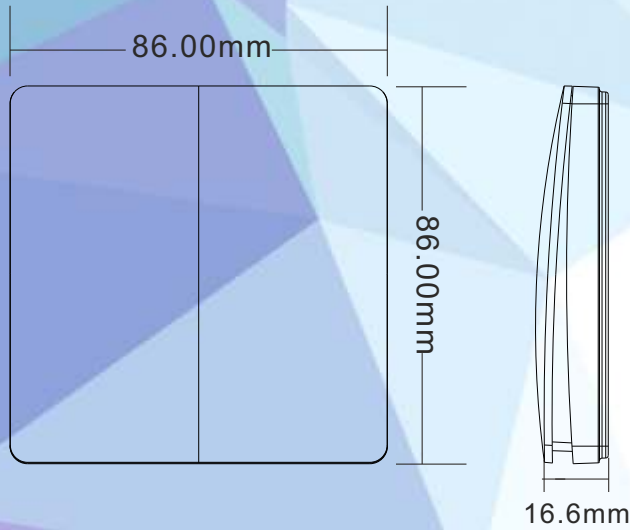


Durable



Cost Saving

Product dimensions:



KWS IP67 Kinetic Wireless Switch Specifications:

Product model: KWS

Switch Type: Push button switch

Number of keys: 1-3 keys

Power mode: Kinetic energy self-power (no battery)

Operational life: 200,000 switchings

Operating frequency: 433MHz

IP Rating: IP67

Control distance*: 80m (outdoor) 25m (indoor)

Control Method: Pairing with Kinetic Controller

Installation: Permanently fixed or placed on wall using self adhesive 3M tape (supplied)

Working Temperature: -10°C ~ +40°C

Warranty: 3 Years

*Distance comes from Kinetic laboratory test result. The actual distance in practical use might vary due to environmental difference.

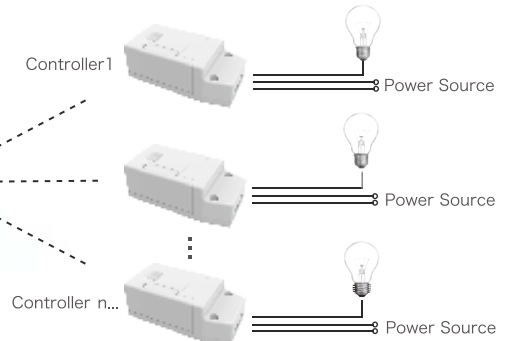
Kinetic Controller Wireless Systems

The wireless Kinetic energy switch and wireless receiving controller can be paired with any combination: a controller can be controlled by a maximum of 10 separate switches, a switch can pair an unlimited number of controllers.

1-Way Wireless System

Single-Multi-Control

Kinetic
Wireless Switch

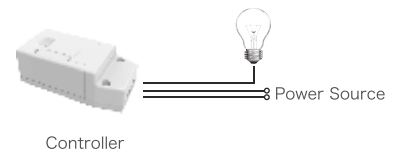


2-Way Wireless System

Dual Control

Kinetic
Wireless Switch 1

Kinetic
Wireless Switch 2



3-Way Wireless System

Multi-Single-Control

Kinetic
Wireless Switch 1

Kinetic
Wireless Switch 2

Kinetic
Wireless Switch 10

