

The Kinetic In-Line Receiver Switch is a direct replacement for the traditional wall switch in your home/building. This new addition for the range combines the wireless controller normally housed in the ceiling with the wall switch, thus facilitating additional wireless two way or more ways to the circuit. It can be paired with a maximum of 5 extra wireless Kinetic switches for dual or multiple control function.



KRS1W - 1 Gang White



KRS2W - 2 Gang White



Kinetic Live Line Switch Specifications:

Switch Type: Push button switch
Number of keys: 1-2 keys
Power mode: Single Live Line Power Supply
Rated Power: 600W LED /circuit
 900W other loads*/circuit
Working Voltage: 220-240V/AC 50/60Hz
Operating frequency: 433MHz
Lamp Load Minimum Power: 5W
Working Temperature: -20°C ~ +55°C

*Maximum load rating may vary depending on manufacturers specifications.

**Distance comes from Kinetic laboratory test result. The actual distance in practical use might vary due to environmental difference.

Control distance:** 80m (outdoor) 25m (indoor)

Control Method: Pairing with Kinetic Switches

- Simply replace your existing wall switch with a Kinetic Live Line switch
- Combines wall switch with wireless controller
- Fits into 25mm metal/plastic patress
- Each switch/controller can pair with a maximum of 5 auxiliary Kinetic switches

Warranty: 3 Years

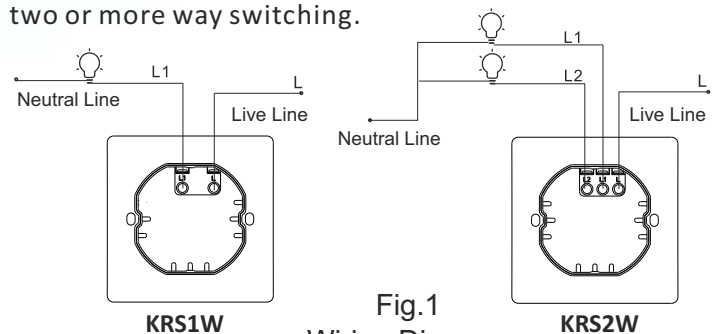
Installation:

Remove the traditional switch from the wall and replace it with the In-Line receiver switch.

If a neutral line is in situ do not connect it to the In-Line switch - this might result in damaging the product! The In-Line receiver switch only works when you have a live feed in and a live feed out.

Simply disconnect the existing live in / live feed out from the existing wall switch and connect the same to the In-Line receiver switch as per the wiring diagram (see Fig.1).

Then simply screw the new In-Line receiver switch back into place and pair any auxiliary switches to create two or more way switching.



Pairing:

- The Kinetic In-Line Receiver Switch pairs with Kinetic switches for dual or multiple control. A maximum of 5 switches can be paired with a Live line circuit.
- Press and hold the switch for 6 seconds until the connected lights start to flash. Release the switch - the in-line switch is now in pairing mode. Press the wireless switch button you want to add to pair it.
- To unpair the auxiliary switches simply press the switch for 12 seconds until the lights connected to the switch flash 3 times and stop flashing. All the pairing information is now cleared.

Dimensions:

