

### Innovation of Wireless Kinetic Technology

The Quinetic wireless grid switch is compatible with Varilight PowerGrid system and can be installed into Varilight PowerGrid plates. It can be used with the standard or with the dimming Quinetic receiving controller. It has a built-in micro energygenerator - when the switch is pressed the kinetic system transforms the movement into energy. This transmits a signal to the receiver to turn the lamp or other load on or off. This solves the issue of having to install switch wiring which has been a problem ever since the invention of the lamp.

### No Wiring. No Battery. Easy Installation and Usage.

The grid switch can be used from a maximum of 30m indoors. There is no longer a need to make holes or channel out for switch lines in the wall if you use the Quinetic wireless switch. The Quinetic switch is safe, convenient and extremely simple to install and use.

### Collection of Micro Mechanical Energy

Micro energy acquisition (MEA) module constantly generates energy, thus eliminating the need for a battery or mains power supply.



Press switch to produce kinetic energy.



Internal module collects kinetic energy.



Kinetic energy is converted into electricity.



Communication module transmits signal.



Receiver controls the light.



### Low power hardware and highly reliable communication protocol

Energy produced by the Quinetic device is very small, so the communicating hardware adheres to strict requirements on low power consumption, wireless transmission and creates a highly stable environment.

The Quinetic switch has a formidable range being effective up to 30m indoors. To prevent interference the handshake protocol is integrated with a precise algorithm, a 32-bit address. At every interval communication protocols are sent three times.



Self Powered



No Radiation



No Maintenance



No Wiring



Durable



Cost Saving



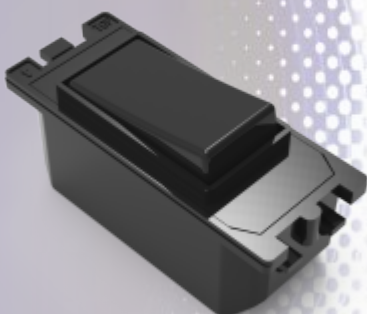
Chrome  
KGDVLCH



White  
KGDVL



Steel  
KGDVLSS



Black  
KGDVLB

KGDV



# Varilight Grid Wireless Switch



## Wireless Grid Switch Varilight PowerGrid Compatible

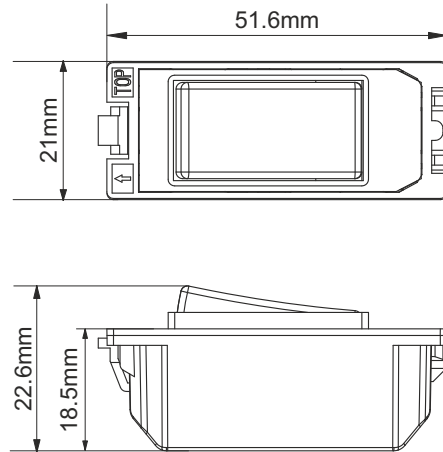


Use with Kinetic wireless receiving controllers

### KGDV - Kinetic Wireless Switch Specifications:

- Work Type:** Push Button
- Power Source:** Micro Energy Acquisition and self-powered
- Communication Model:** FSK
- Work Frequency:** 433Hz
- Number of Keys:** 1 (1 gang)
- Life Time:** 200,000 times on/off
- Weight:** 25g
- Work Environment Temperature:** -30°C ~ 55°C
- Control Distance:** 30m (indoor)
- Control Method:** Pairing with Kinetic Wireless Controller
- Compatible with Varilight PowerGrid Switch Plates**
- 3 Year Warranty**

### Product dimensions:



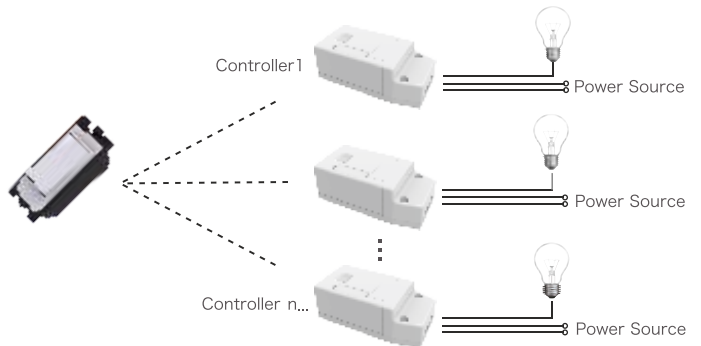
## Kinetic Controller Wireless Systems

The wireless Kinetic grid switch and wireless receiving controller can be paired with any combination: a controller can be controlled by a maximum of 10 separate switches, a switch can pair an unlimited number of controllers.

### 1-Way Wireless System

#### Single-Multi-Control

Kinetic Wireless Switch

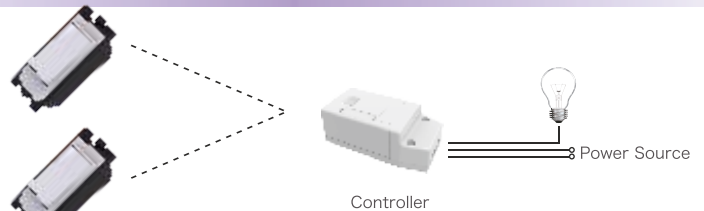


### 2-Way Wireless System

#### Dual Control

Kinetic Wireless Switch 1

Kinetic Wireless Switch 2



### 3-Way Wireless System

#### Multi-Single-Control

Kinetic Wireless Switch 1

Kinetic Wireless Switch 2

Kinetic Wireless Switch 10

