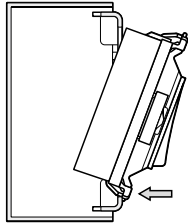
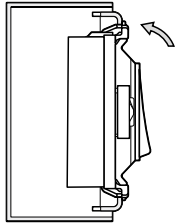
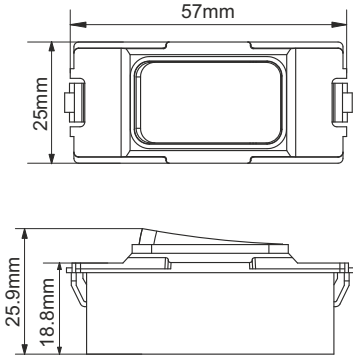



KGDMK

Wireless Grid Switch Instructions 80*60mm

	 <p>KGDMK Wireless Grid Switch MK Grid Plus Compatible</p> <p>Installation Instructions</p> <div style="display: flex; justify-content: space-around;">       </div> <p>Self Powered No Radiation No Maintenance No Wiring Durable Cost Saving</p>	<p>Read instructions carefully before installation</p>  <p>Wireless Grid Switch MK Grid Plus Compatible</p> 	<p>Specifications</p> <p>Wireless Grid Switch Technical Parameters:</p> <p>Work Type: Push Button Power Source: Micro energy acquisition and self generating (no battery required) Number of Keys: 1 (1 gang) Control Distance*: 30m (indoor) Control Method: Pairing with Kinetic Wireless Controller Compatible with MK Grid Plus Switch Plates Life Time: 200,000 times on/off 3 Year Warranty</p>  <p><small>* Distance comes from Kinetic laboratory test result. The actual distance in practical use might vary due to environmental difference.</small></p>
--	--	---	--

<p>Wireless Grid Switch Operation:</p> <p>The Kinetic wireless grid switch is compatible with MK grid plus system and can be installed into MK grid plus plates. It can be used with the standard or with the dimming Kinetic receiving controller (see controller instructions for more details about pairing).</p> <p>Dimming Operation:</p> <p>When paired with the dimmable Kinetic controllers (KR301 and KRW01) the grid switch can also dim the lights: Pressing the switch quickly will turn the light ON/OFF. Keep the switch pressed to dim the light to the desired level. While the switch is pressed the lights will go down from 100%-0% and they will go up from 0-100% cyclically.</p> <p>Kinetic Switch and Controller Wireless System:</p> <p>The wireless Kinetic grid switch and wireless receiving controller can be paired in any combination: a controller can be controlled by a maximum of 10 separate switches, a switch can pair with an unlimited number of controllers.</p>	<p>Installation Instructions:</p> <ol style="list-style-type: none"> 1. Ensure the mounting box is securely fixed to the wall. 2. Carefully push the Kinetic grid switch module back through the grid frame until the clip on the top of the module has clicked into place (Fig. 1). 3. Ensure no conductors into the mounting box are pinched or trapped. 4. If necessary the modules can be removed by placing the blade of a screwdriver just above the top clip and carefully levering it out (Fig. 2). 5. Place the front plate over the assembly and secure it with the screws provided. Do not over tighten the screws, to do so may damage the front plate, fixing screws or grid frame. <div style="display: flex; justify-content: space-around;">   </div> <p>Fig. 1 Fig. 2</p>	<p>Product dimensions:</p>  <p style="text-align: right;"></p>	
---	--	---	--