
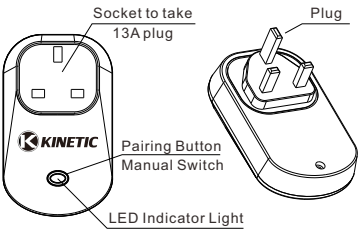

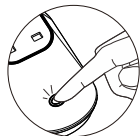
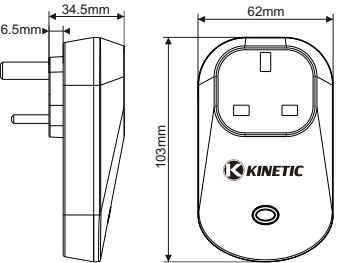


# KA313 Instructions

 <p><b>KINETIC</b> Kinetic Wireless Socket Adaptor Installation Instructions</p> <p>KA313</p> <p>Read all instructions before installation</p>	<p><b>Kinetic Wireless Socket Adaptor Technical Specifications:</b></p> <p>Input Voltage: 100-240V 50/60Hz Output Voltage: 100-240V 50/60Hz Working environment temperature: -25°C - 50°C Control distance*: 20m(indoor) Control method: pairing with Kinetic Wireless Switch (see instructions) Control Load: 13A Maximum Load: 1000W LED &amp; 3kW other loads**</p> <p>*Distance comes from Kinetic laboratory test results. The actual distance in practical use might vary due to environmental difference. **Maximum load rating may vary depending on manufacturers specifications.</p>	<p><b>Identification of Parts:</b></p> 	<p><b>Kinetic Wireless Socket Adaptor configuration</b></p> <ol style="list-style-type: none"> <li>1. Plug the Kinetic Wireless socket adaptor into a wall outlet.</li> <li>2. The sockets can be manually switched or controlled by the wireless Kinetic energy switch.</li> <li>3. For manual operation push the manual Switch button. The socket is ON when the LED indicator light is RED.</li> </ol> <p><b>Wireless socket adaptor pairing method*:</b></p> <p>The wireless Kinetic energy switch and wireless socket adaptor can be paired with any combination: an adaptor can be controlled by a maximum of 10 separate switches, a switch can pair with an unlimited number of socket adaptors. The range of a switch may also be extended by putting the adaptor into the " Bridging Mode".</p>
---	--	--	---

<p><b>Code pairing steps:</b></p> <ol style="list-style-type: none"> <li>1. Press the function button for 3 seconds and the indicator light begins to flash slowly. Then release the button and enter the single pairing state.</li> <li>2. Press the wireless kinetic energy switch and the indicator light of the socket adaptor will go out, which means that the pairing is successful.</li> <li>3. If you need to add more switches to the same adaptor, please repeat the above process; each adaptor can store up to 10 switches, pairing in formation.</li> <li>4. Single, double and triple switches follow the same pairing method.</li> <li>5. In order to put the controller in to Bridging mode press the function button for 7 seconds. The indicator light will pulse continuously to indicated a succesful "bridge".</li> </ol>	<ol style="list-style-type: none"> <li>6. If the controller indicator light continues to pulse the controller will still function normally even if used with a single switch.</li> <li>7. To remove the adaptor stored pairing information press function button for 10 seconds until the indicator light goes out - the pairing information will be removed.</li> </ol>  <p>Press for 3 seconds to enter program mode</p>  <p>Press for 10 seconds to clear memory</p>	<p><b>Precautions:</b></p> <ol style="list-style-type: none"> <li>1. To prevent injury, the socket adaptor must be securely plugged in to a 13 Amp wall socket.</li> <li>2. Please note the maximum loading of an individual controller. Exceeding this maximum will result in blowing the fuse (non replaceable).</li> <li>3. Do not short-circuit, otherwise it will cause permanent damage to the socket adaptor.</li> <li>4. The socket will remain "OFF" after a power cut, saving energy, reducing fire risk and protecting your appliances.</li> <li>5. For indoor use only.</li> <li>6. Please use the socket in dry place; it must not be used in a bathroom or other damp locations.</li> <li>7. Damage caused by incorrect installation and operation are not covered under warranty.</li> </ol> <p><b>Troubleshooting:</b></p> <ol style="list-style-type: none"> <li>1. If pairing does not work first check if the indicator is lit. Re-pair in case the pair is lost after power failure.</li> <li>2. If the receiver does not respond check the LED indicator. If this does not light check the wall outlet and refer back to supplier.</li> </ol>	<p><b>Kinetic Wireless Socket Adaptor Dimensions:</b></p> 
---	--	--	--