

## FEWPQC2 - IP68 Plug & Socket Waterproof Connector 3 Poles

# IP68



**Please read these instructions and retain them for future reference.**

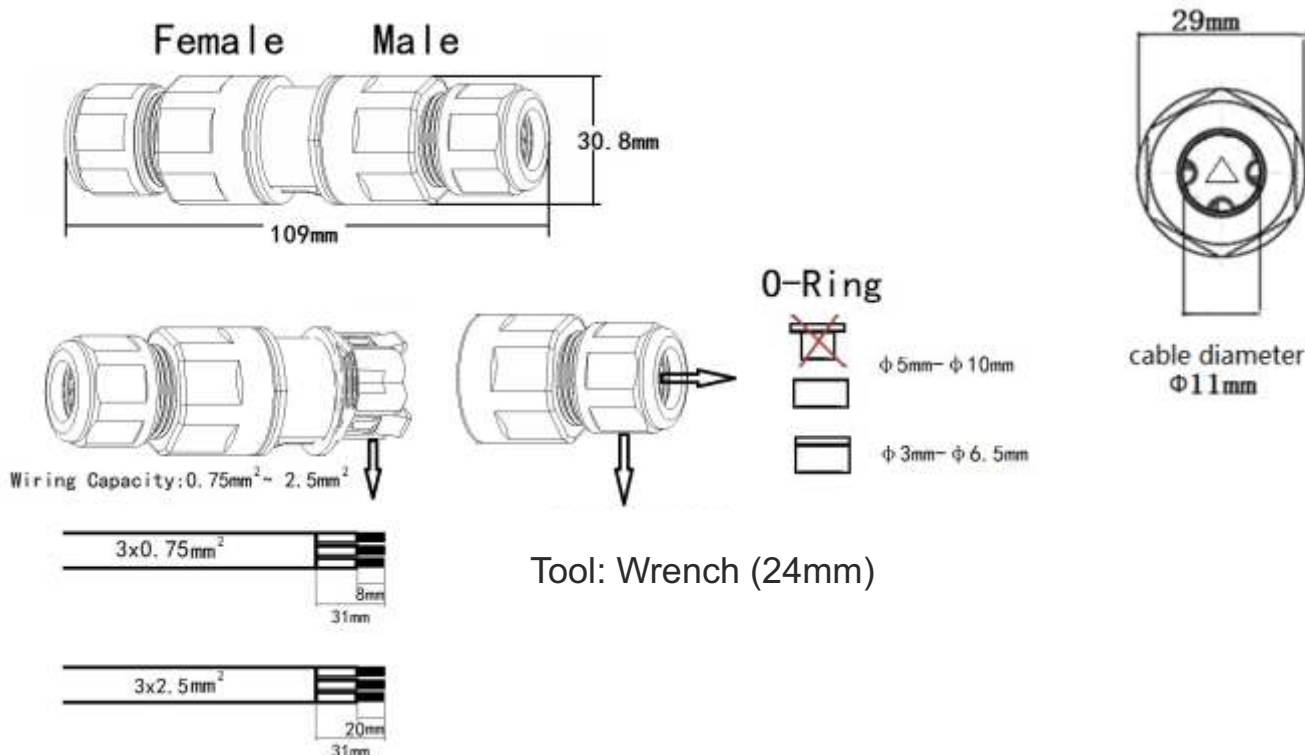
### Important information

- Before installation please ensure that the power supply to the connector is switched off.
- It is recommended that connectors are installed by a qualified electrician ensuring the installation complies to current IEE wiring regulations & local building control.

### Specifications:

- Housing Material: PA66
- Contacts material/plating: brass
- Silicon Sealing Gasket
- Rated Voltage: 250V
- Rated Current: 16A
- Wire Size: 0.75-2.5mm<sup>2</sup>
- Male & Female Waterproof Connectors
- Cable Outer Diameter: min. 6mm - max. 11mm
- Waterproof Rate: IP68
- Fire Rating: UL94 - V0
- Gland size: M22
- Operating Temperature: -40<sup>0</sup> ~ +85<sup>0</sup>C
- Warranty: 3 Years

### Dimensions:



**Connection Mode: 3 Steps quick connection, no screws**

