

FELPWIFI - Smart Wi-Fi CCT LED PIR Floodlight

NEW WiFi Smart LED PIR floodlights, compatible with Alexa and Google Home, CCT colour changeable, controlled by smart devices. Both the Floodlight and the PIR can be controlled through the Smart Life APP.

Group, Timer, DIY Scenes, Voice control and Schedule functions available. The PIR sensor can be linked with other smart WiFi devices through Automation, creating the possibility for multiple control situations. Applications: outdoor lighting, lift, lobby, common staircases, for basement or covered parking area, garden lights.



- Smart Control
- Security Sensor with Event Records
- CCT Changeable
- Built-in Junction Box



2.4Ghz Wi-Fi

tuya.com

Smart life, smart living



Works with Amazon Alexa
and Google Assistant



Works with the
Google Assistant



amazon alexa



APP Smart Control



2700K-6500K



Light On/Off



Timer Control



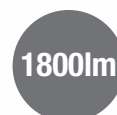
No Hub Required



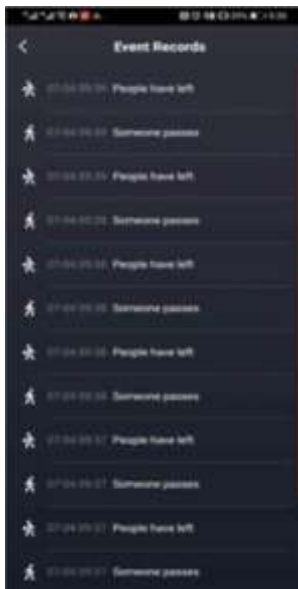
App Dimmable



Voice Control

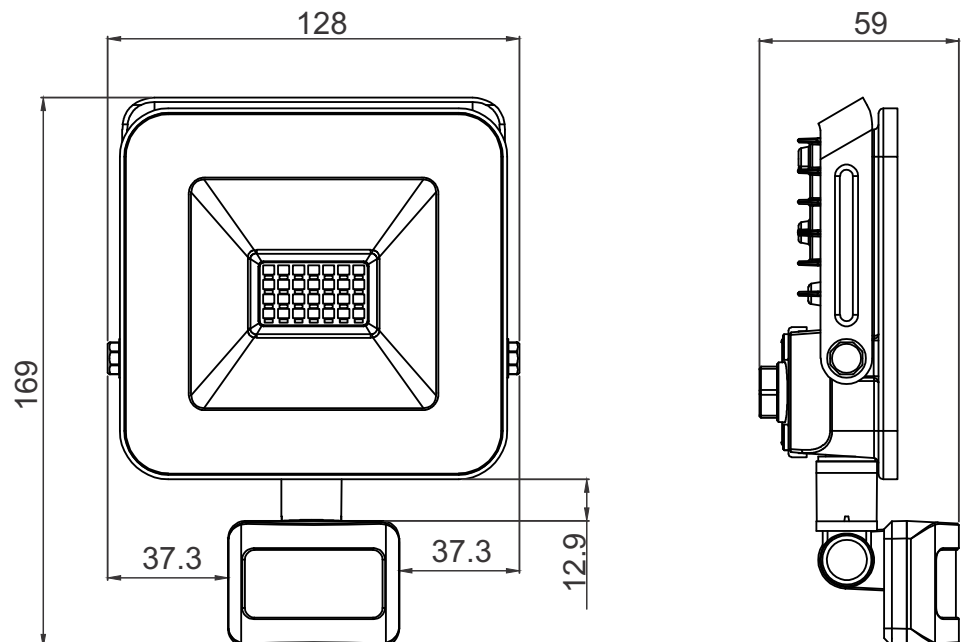


Lumen Output



- App Control: **2.4Ghz WiFi** using Smart Life APP
- Compatible with **Amazon Alexa & Google Home**
- **APP Light Control:** CCT, Dimming, ON/OFF
- **APP PIR Control:**
 - Detection Distance (up to 8m)
 - Lux Level (Ambient Light)
 - Light Duration
 - Stand-by Light
 - Stand-by Light Duration
 - Event Records
 - Link to other Smart devices through Automation
- Voltage: 220-240V
- Frequency: 50/60Hz
- Current: 150mA
- Driver Type: IC Driver
- Power: 10W (3000K and 6500K) up to 20W (4000K)
- LED Chip: 2835 SMD
- Lumen Output: 900-1000lm (3000K/6500K)
1800lm (4000K)
- Colour Changeable: 3000-6500K
- CRI: >70
- Power factor: >0.9
- Beam Angle: 110°
- Dimmable: Yes, through the APP (10-100%)
- Lifetime: 25000hours
- Operating Temp.: -20°C~ +40°C
- IP Rating: IP65 Floodlight / IP44 Sensor
- Heatsink Material: Aluminium
- Built-in Junction Box
- Dimensions: 128x169x59mm
- Weight: 290g

Dimensions(mm):



Sharing the joy of technology



Intelligent Grouping



Device Sharing



Voice Control



"I'm back"
Home mode: Turn on all the lights after the door lock

"Good night"
Goodnight mode: Turn off all the lights

Hey Google
Works with the Google Assistant

amazon alexa
Works with the Amazon Alexa



App Connect



Smart Home Kits



Support Smart Speakers



Control from anywhere

with the free "SMART LIFE" Connect app