



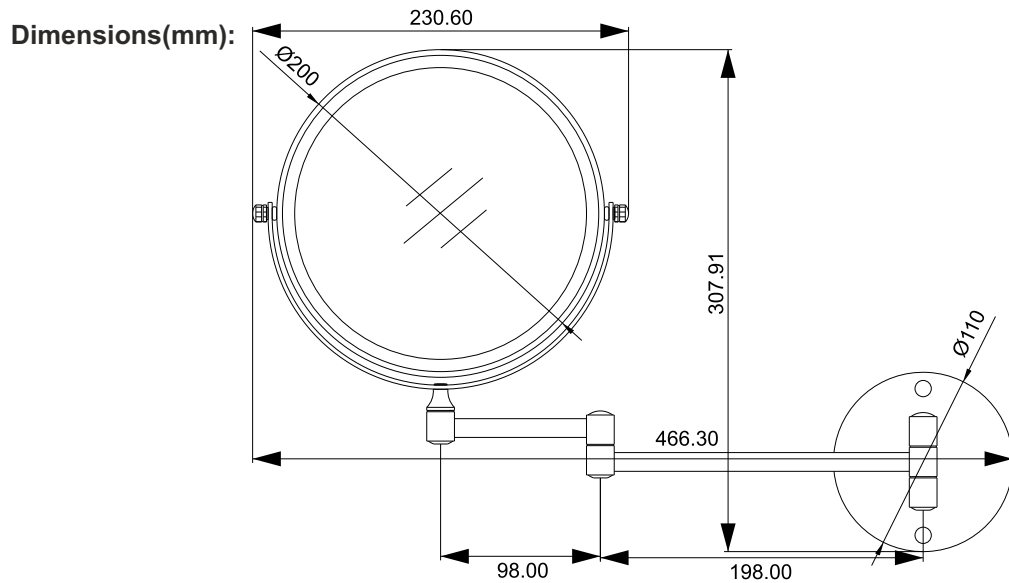
FEBLM200

200mm Magnifying Swivel Arm Mirror

Please read these instructions and retain them for future reference.

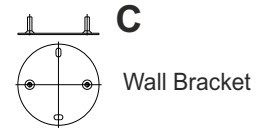
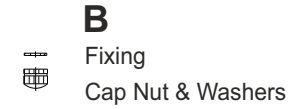
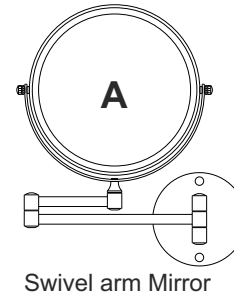
Important information

- Ensure the product is installed properly and operated as specified in the instructions.
- Before drilling, ensure there are no hidden cables or pipes in the wall.



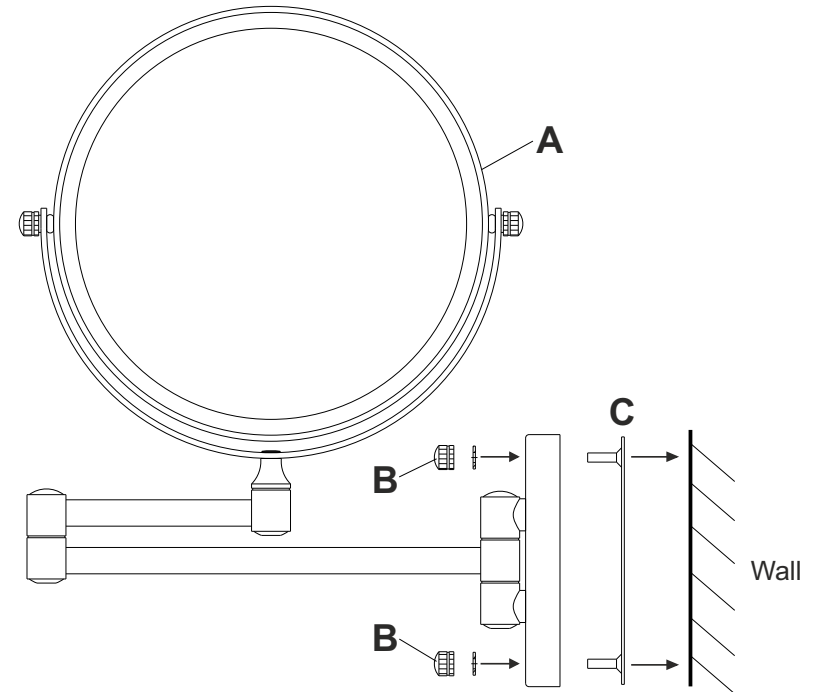
- Specifications:**
- Mount Type: Wall Mounted
 - Mirror Type: Makeup / Shaving
 - Shape: Round
 - Finish: Chrome
 - Diameter: 200mm
 - Two Sides: Normal & Magnifying 5x
 - Adjustable Arm
 - Maximum Arm Length: 30cm

Package contains:



Installation:

1. Position the magnifying mirror in a suitable location. Do not position in direct sunlight as the magnifying effect of the mirror may pose a fire hazard.
2. Remove the wall bracket (C) from the mirror via the fixing(s) on the base of the unit (B).
3. Using the wall bracket as a guide, ensure it is level and carefully mark the required drilling locations using a soft pencil.
4. Drill holes in the marked positions to a suitable depth. If drilling through tile, use a ceramic drill bit.
5. Fasten the wall bracket (C) to the wall.
7. Place the mirror onto the wall bracket and secure into place using the fixings on the mirror base(B).



Care Instructions:

We recommend regular cleaning of accessories with a mild, soapy solution and wipe with a dry cloth. Avoid use of abrasive and corrosive chemicals.