



FEBLM200LED

200mm LED & De-Mist Magnifying Swivel Arm Mirror

IP44    

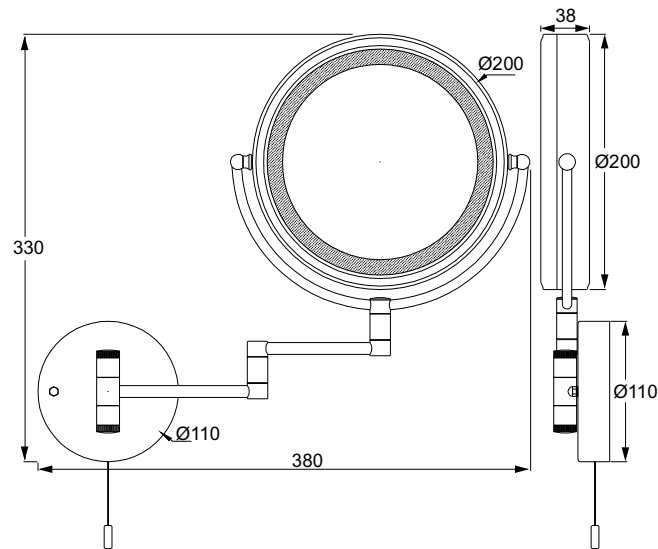
Please read these instructions and retain them for future reference.

Important information

It is recommended that the mirrors are installed by a qualified electrician ensuring the installation complies to current IEE wiring regulations & local building control.

- These products are designed for connection to a 220-240V mains supply.
- These products are Class I and require an Earth connection.
- The fitting is suitable for indoor use only.
- Before drilling, ensure there are no hidden cables or pipes in the wall.
- Always switch off mains supply before installation.
- We will not accept responsibility for any claims arising from a poor installation.

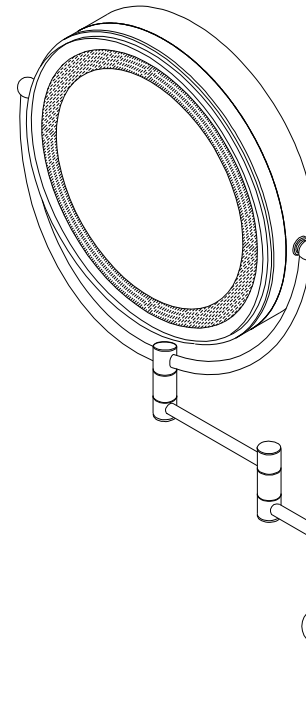
Dimensions(mm):



- Specifications:**
- Mount Type: Wall Mounted
 - Mirror Type: Makeup / Shaving
 - Shape: Round
 - Finish: Chrome
 - Diameter: 200mm
 - Two Sides:
 - Normal (with De-mist)
 - Magnifying 5x
 - Adjustable Arm

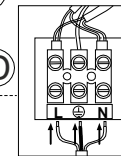
- Voltage: 200-240V/AC
- Built-in Lighting: LED
- Built-in De-mist Pad (mirror side)
- Power: 7.5W
- Colour Temp.: 4000K
- Adjustable Arm
- Pull Cord Switch
- IP Rating: IP44

Installation:




1. Position the magnifying mirror in a suitable location. Do not position in direct sunlight as the magnifying effect of the mirror may pose a fire hazard.
2. Remove the mirror base from the wall bracket by rotating the fixings anti-clockwise (A).
3. Using the wall bracket as a guide, ensure it is level and carefully mark the required drilling locations using a soft pencil.
4. Drill holes in the marked positions to a suitable depth. If drilling through tile, use a ceramic drill bit.
5. Insert wall plugs level with the surface of the wall. If fitting to a tiled surface, wall plugs should be inserted below the tile surface to avoid cracking (B).
6. Fasten the wall bracket to the wall using the screws provided (C).
7. Connect the mains supply to the terminal box according to the wiring diagram below (D).
8. Place the mirror onto the wall bracket and secure it into place using the fixings on the mirror base (E).

9. Switch on the mains supply and use the pull cord to turn ON or OFF the mirror light.



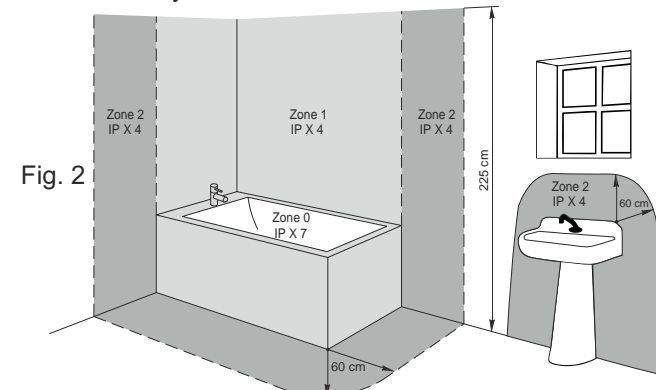
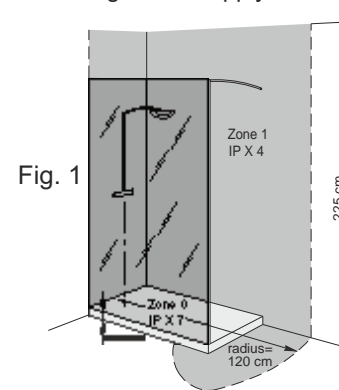
Wiring Diagram:

- L = Live (Brown)
-  = Earth (Yellow/Green)
- N = Neutral (Blue)

Installation Zones:

All installations must comply with safety distance guidelines based on installation zones. In rooms with showers and baths the mirror has to be installed in **Zone 2**, outside of zone 0 and 1 at all times.

Please check Fig. 1 and Fig. 2 below illustrating the installing zones. These regulations apply to domestic installations only.



Care Instructions:

We recommend regular cleaning of accessories with a mild, soapy solution and wipe with a dry cloth. Avoid use of abrasive and corrosive chemicals.