



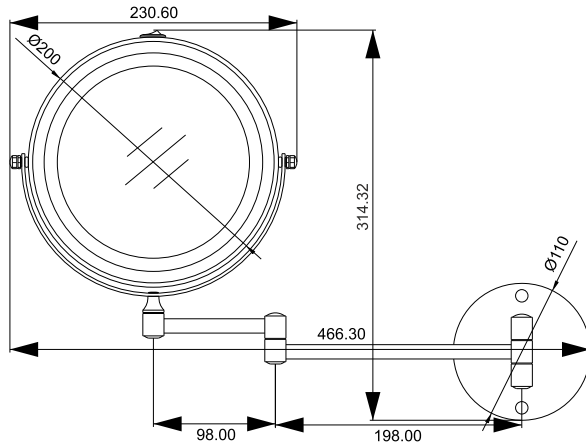
FEBLM200BAT 200mm LED Magnifying Swivel Arm Mirror (AAA Batteries)

Please read these instructions and retain them for future reference.

Important information

- Ensure the product is installed properly and operated as specified in the instructions.
- Before drilling, ensure there are no hidden cables or pipes in the wall.

Dimensions(mm):

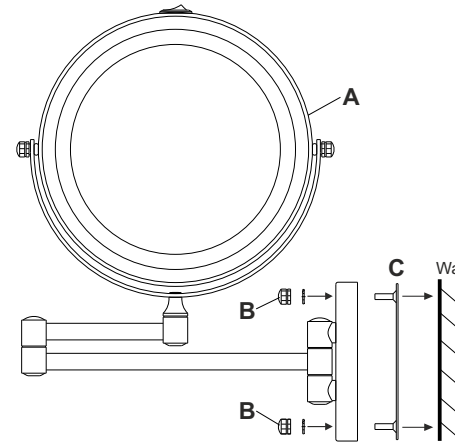


- Specifications:**
- Mount Type: Wall Mounted
 - Mirror Type: Makeup / Shaving
 - Shape: Round
 - Finish: Chrome
 - Diameter: 200mm
 - Two Sides:
 - Normal
 - Magnifying 5x
 - Adjustable Arm
 - Maximum Arm Length: 30cm
 - Built-in Lighting: LED 4000K
 - Voltage: 6 V/DC
 - On/Off Switch on Mirror frame
 - Power Source: 4 x AAA Batteries (not included)

Package contains:



Installation:



1. Position the magnifying mirror in a suitable location. Do not position in direct sunlight as the magnifying effect of the mirror may pose a fire hazard.
2. Remove the wall bracket (C) from the mirror via the fixing(s) on the base of the unit (B).
3. Using the wall bracket (C) as a guide, ensure it is level and carefully mark the required drilling locations using a soft pencil.
4. Drill holes in the marked positions to a suitable depth. If drilling through tile, use a ceramic drill bit.
5. Fasten the wall bracket (C) to the wall.
7. Place the mirror onto the wall bracket and secure into place using the fixings on the mirror base(B).

Battery Installation:

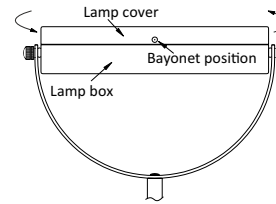


Fig. 1 Side View

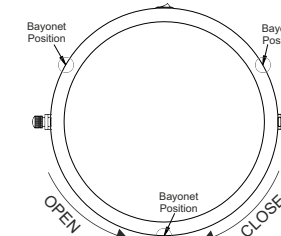


Fig. 2 Top View

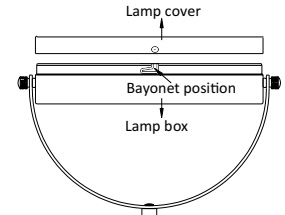


Fig. 3

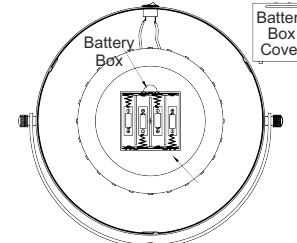


Fig. 4

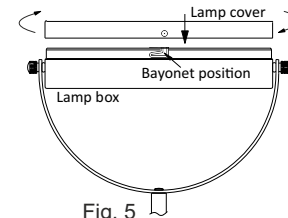


Fig. 5

1. Open the mirror by rotating the lamp cover 10-12mm counter-clockwise (Fig. 1 & 2).
2. Open the lamp cover perpendicular to the mirror side to allow the lamp cover to leave the bayonet position (Fig. 3).
3. Take the battery box cover off and insert 4 x AAA batteries as indicated (Fig.4). **AAA batteries not included.**
5. Close the battery box after installing the batteries.
4. Place the lamp cover over the box observing the bayonet positions. Press the lamp cover into the lamp box and rotate 10-12mm clockwise to lock it (Fig. 5).

Attention:

Please make sure the direction of rotating is right when locking or unscrewing the lamp cover and do not over rotate the cover.

Care Instructions:

We recommend regular cleaning of accessories with a mild, soapy solution and wipe with a dry cloth. Avoid use of abrasive and corrosive chemicals.