

General Instructions

These instructions should be read carefully and retained after installation for further reference and maintenance.

Safety

Before installation or maintenance ensure that the mains supply to the luminaire is switched off and the circuit supply fuses are removed or circuit breaker turned off.

- A qualified electrician **MUST** be consulted or used for the installation of this luminaire.
- This luminaire must be installed to the current edition of the IEE wiring regulations and relevant building regulations.
- Check that the total load on the circuit, including when this luminaire is fitted, does not exceed the rating of the circuit cable, fuse or circuit breaker.

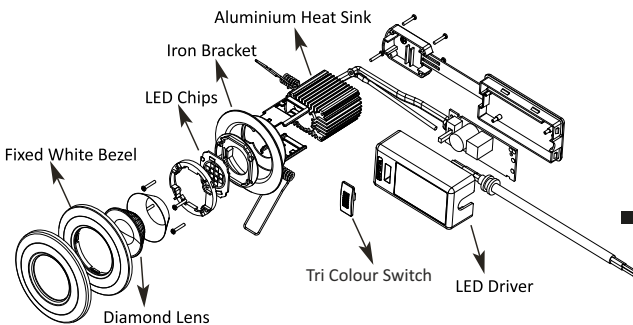
Installation

- Cut a suitable hole in the ceiling as per the cut-out details ensuring that it does not infringe with electrical cables, water/gas pipes or ceiling joists. (see fig 1.)
- Carefully fold back any insulation material to a minimum of 50mm, so as to allow free circulation of air around the downlight to prevent overheating.
- Connect the mains supply to the downlight. (see fig 2.)
- Fit the downlighter into the hole (see fig 3.) in the ceiling with the 2 spring clips supplied. (see fig 4.)
- Test for correct operation.

Dimming

The fitting comes as standard with a dimmable driver that allows the user to regulate the light output to best suit their lighting needs. Please note:

- The driver can be used with most trailing edge dimmers.
- Please examine carefully the manufacturers guide on the dimmer switch you intend to use and check compatibility.
- In some cases you may need to change or upgrade your dimmer switch if the unit flickers or does not dim smoothly.



Interchangeable Magnetic Bezel (optional extra)
available in Brass, Chrome, Brushed Steel

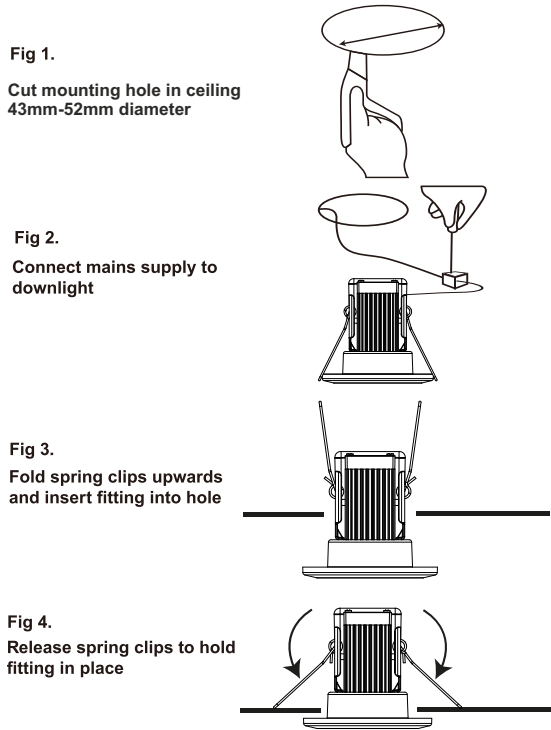


Fig 1.

Cut mounting hole in ceiling
43mm-52mm diameter

Fig 2.

Connect mains supply to
downlight

Fig 3.

Fold spring clips upwards
and insert fitting into hole

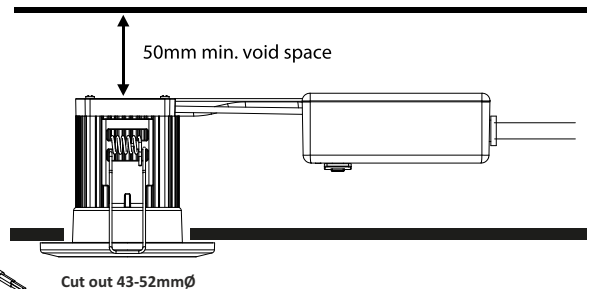
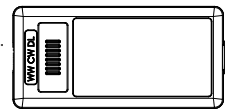
Fig 4.

Release spring clips to hold
fitting in place

43-55mmØ

Tri-Colour Function

The LTMTC6W is a tri-colour switchable fitting. The colour temperature is adjustable from 3000k, 4000k or 6000k at installation using the sliding switch on the driver.



SAFETY FIRST

- BEFORE STARTING ANY ELECTRICAL WORK ALWAYS SWITCH OFF AT THE MAINS
- IF IN DOUBT CONSULT A QUALIFIED ELECTRICIAN