

## Installation Sheet

# 10W ECO LED Fire Rated Downlight

### General Instructions

These instructions should be read carefully and retained after installation for further reference and maintenance.

### Safety

Before installation or maintenance ensure that the mains supply to the luminaire is switched off and the circuit supply fuses are removed or circuit breaker turned off.

- A qualified electrician **MUST** be consulted or used for the installation of this luminaire.
- This luminaire must be installed to the current edition of the IEE wiring regulations and relevant building regulations.
- Check that the total load on the circuit, including when this luminaire is fitted, does not exceed the rating of the circuit cable, fuse or circuit breaker.

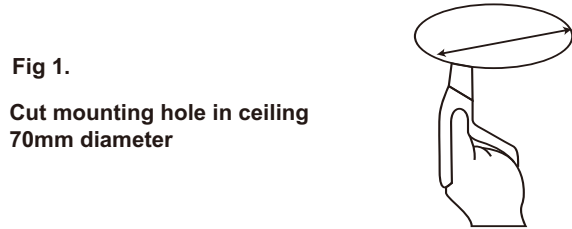
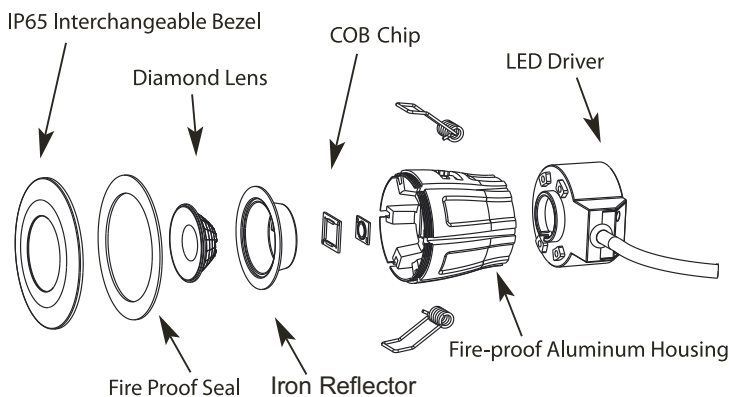
### Installation

- Cut a suitable hole in the ceiling as per the cut-out details ensuring that it does not infringe with electrical cables, water/gas pipes or ceiling joists. (see fig 1.)
- Carefully fold back any insulation material to a minimum of 50mm, so as to allow free circulation of air around the downlight to prevent overheating.
- Connect the mains supply to the downlight. (see fig 2.)
- Fit the downlighter into the hole (see fig 3.) in the ceiling with the 2 spring clips supplied. (see fig 4.)
- Test for correct operation.

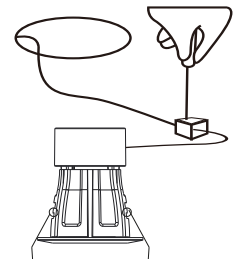
### Dimming

The fitting comes as standard with a dimmable driver that allows the user to regulate the light output to best suit their lighting needs. Please note:

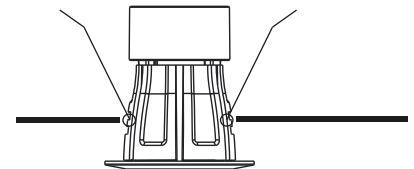
- The driver can be used with most trailing edge and leading edge dimmers.
- Please examine carefully the manufacturers guide on the dimmer switch you intend to use and check compatibility.
- In some cases you may need to change or upgrade your dimmer switch if the unit flickers or does not dim smoothly.



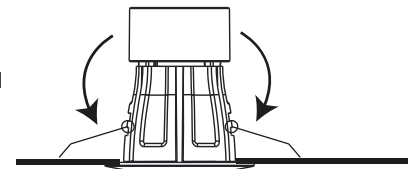
**Fig 1.**  
Cut mounting hole in ceiling  
70mm diameter



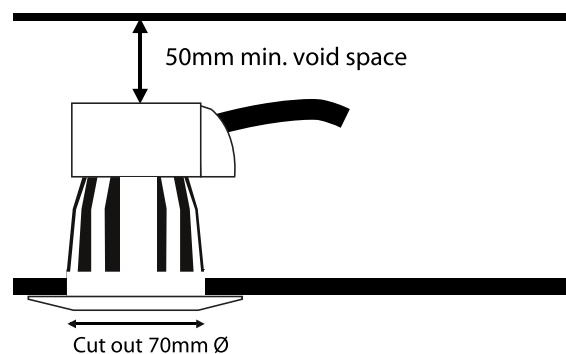
**Fig 2.**  
Connect mains supply to  
downlight



**Fig 3.**  
Fold spring clips upwards  
and insert fitting into hole



**Fig 4.**  
Release spring clips to hold  
fitting in place



### SAFETY FIRST

- BEFORE STARTING ANY ELECTRICAL WORK ALWAYS SWITCH OFF AT THE MAINS
- IF IN DOUBT CONSULT A QUALIFIED ELECTRICIAN