



LEOTEK[®]
Energy Saving LED

FLPIR50 50W LED Flood Light with PIR Sensor

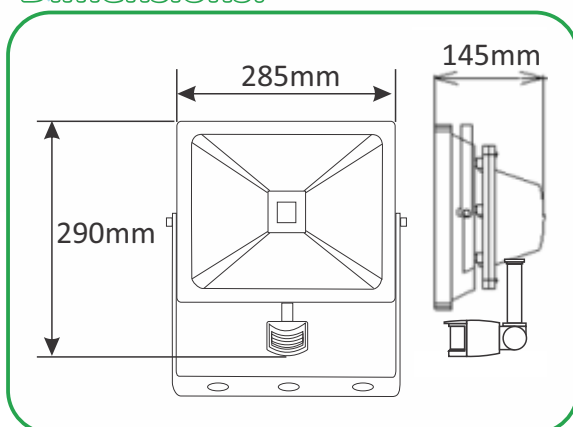
Maintenance Free Exterior / Interior Energy Saving LED Floodlight
70% / 80% running cost savings compared to incandescent lamps

Applications Include: Gardens, Bushes/Shrubs, Security Lighting,
Porch Lighting and Area Floodlighting, Site Lighting



- Voltage Range: 220v to 240v
- Nom. Watts: 50w
- Halogen Eqiv: 300w
- Beam Angle: 120°
- IP65 for floodlight body
- IP44 for PIR sensor
- PIR Time adjustment: 5 sec ~ 10 min
- PIR Lux (light level) adjustment: 0 ~ 1000 lux
- Optional mode settings: Dusk to Dawn.
- Permanent ON – when in Dusk to Dawn and maximum time setting.
- PIR with 110° detection angle
- Up to 12m detection range
- Long Life: 2 years guaranteed
- Shatter Resistant Tempered Glass
- Die Cast Aluminium Casing
- Not Dimmable
- Adjustable Bracket
- Complete with 1.5m cable
- Pulse override facility

Dimensions:



Available colours:



Product Code	Description
FLPIR50WW	LED Flood Light with PIR Sensor 50W Warm White
FLPIR50CW	LED Flood Light with PIR Sensor 50W Cool White

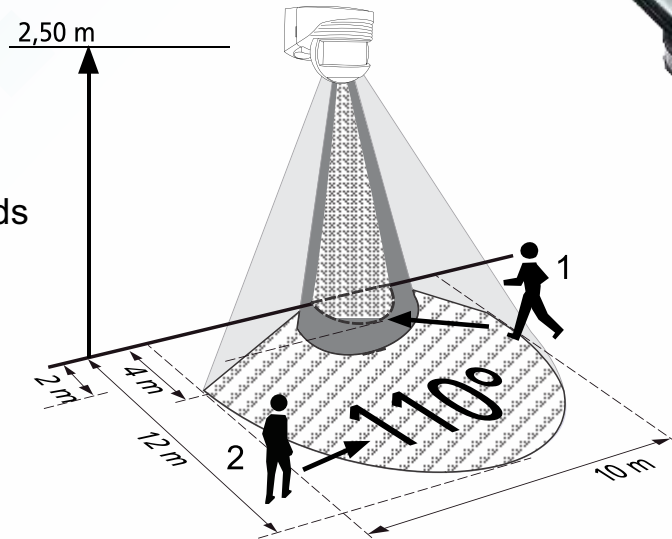
These high performance LED's are of outstanding performance and quality
and not to be confused with cheaper budget leds on sale!

FLPIR50 - 50W LED Flood Light with PIR Sensor

LEDTEK
Energy Saving LED

Coverage range:

- 1  Walking Towards
- 2  Walking across



Specifications:

Power Requirement	220v - 240v
Lighting Load	Max. 200W
Detection Angle	Up to 110° at 20°C
Detection Distance	Up to 12m at 20°C
Swiveling Angle	Lamp Part: Vertical 90°; Sensor Part: Horizontal 50°, Vertical 40°
Mounting Height	Recommended 1.8 ~ 2.5m (5.9 ~ 8.2 ft) Wall Mount
Time Adjustment	5 sec ~ 10 min
Lux Adjustment	Approx. 0 ~ 1,000 Lux.
Operating Temperature	-20°C ~ +40°C
Protection Class	Class I
Floodlight Protection Rating	IP65
PIR Protection Rating	IP44
Wall Switch Control	Pulse Override