

USFL300CW

300W Ultra Slim COB LED Floodlights

IP66 220-240V

Please read these instructions before commencing installation & retain them for future reference.

Important information

It is recommended that floodlights are installed by a qualified electrician ensuring the installation complies to current IEE wiring regulations & local building control.

- These products are designed for connection to a 220-240V mains supply.
- Any broken or damaged parts should be replaced as soon as possible.
- We will not accept responsibility for any claims arising from a poor installation.

SPECIFICATIONS:

- **Voltage range:** 220-240 V/AC
- **Frequency:** 50/60 Hz
- **Power:** 300W
- **Colour Temperature:** Cool White 6500K
- **Lumen Output:** ±27000 lumens
- **Protection against electric shock:** Class I. Requires earth connection
- **Ingress Protection:** IP66
- **Quality/Corrosive rating:** Suitable for commercial use and indoor/outdoor applications
- **Material:** Die cast Aluminium body with tempered glass diffuser
- **Ambient temperature range:** -8°C to +45°C

INSTALLATION INSTRUCTIONS:

Always switch off mains supply before servicing.

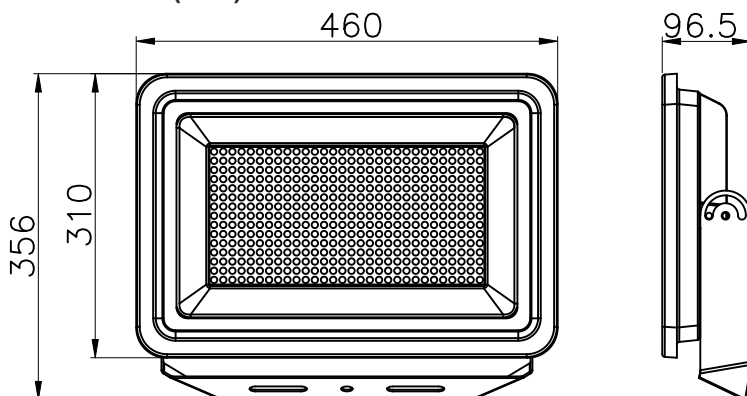
- Shut off Power. (Fig.1)
- Mount the bracket on the wall (Fig.2)
- Terminate loose ends of wire to an appropriate IP Rated junction box or similar, ensuring Live, Earth and Neutral polarities are observed. (Fig. 3)
 - Live - Brown or Red
 - Neutral - Blue or Black
 - Earth - Yellow/Green

- Connect the fitting to its bracket. (Fig.4)
- Turn On Power (Fig.5) and test the luminaire.

WARNING: Ensure all items and screws are secure and fitted correctly.

- This floodlight is not dimmable.
- Floodlights should not be connected in series.

DIMENSIONS(mm):



Installation	
Fig.1	
Fig.2	
Fig.3	<p style="font-size: small; margin-top: 5px;"> LIVE - L (L) BROWN NEUTRAL - N (N) BLUE EARTH - E YELLOW/GREEN INPUT 220-240V AC. 50-60HZ </p>
Fig 4	
Fig.5	