

# WBT-2FT

**2ft 18W LED Non Corrosive Weatherproof Fitting - IP65**

**IP65  220-240V**

**Please read these instructions and retain them for future reference.**

### Important information

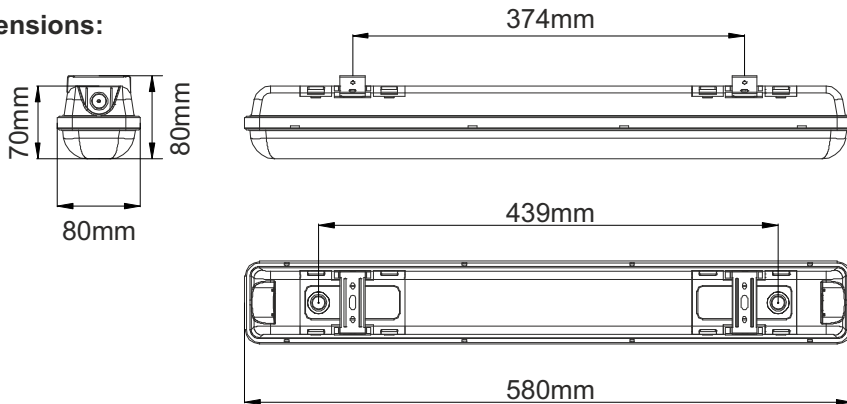
It is recommended that the fittings are installed by a qualified electrician ensuring the installation complies to current IEE wiring regulations & local building control.

- These products are designed for connection to a 220-240V mains supply.
- We cannot accept responsibility for any claims arising from a poor installation.

### Important User Advice

- Always switch off mains supply before installation.
- The fitting is suitable for indoor and outdoor use.
- The installation must not infringe on water pipes or any other electrical services.
- The light fitting is Class II and does not require an earth connection.

### Dimensions:



### Specifications:

- Voltage Range: 220-240V
- Nom. Watts: 18W
- Lumen Output: 1700lm
- Colour Temp.: 5000K
- IP Rating: IP65
- Warranty: 3 Years
- ABS Base
- Stainless Steel Clips
- Not Dimmable

### Package Includes:

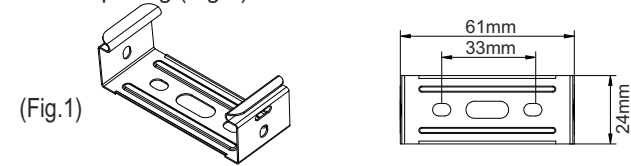
- Snap-in Metal clips x 2pcs.
- Plastic Wall Plugs x 4pcs.
- Screws x 4pcs.



### Installation: **Warning!** Switch off the power source before installation & maintenance

**Step 1:** Identify the location and direction of any hidden supply cables or service pipes before drilling fixing holes.

**Step 2:** Mark and drill mounting holes for the snap-in ceiling clips at the correct spacing - see minimum/maximum spacing (Fig.1).



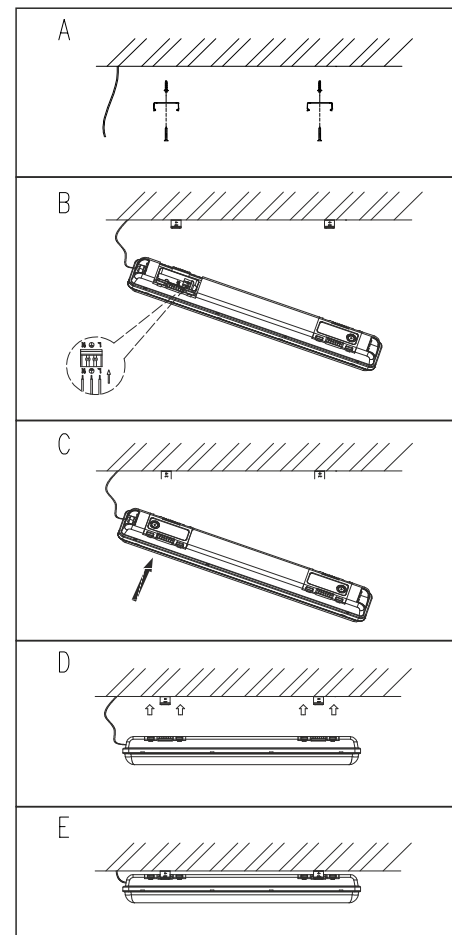
**Step 3:** Fix the clips securely to the ceiling (A)

**Step 4:** Open the cover for the connection block and wire the main input to the terminal block of the light fitting (B). For detailed wiring instructions see Fig. 2.

**Step 5:** Close the connection box cover (C) and mount the light fitting onto the metal clips ensuring that it is secured into place (D)

**Step 6:** Power up the fitting to check that it functions correctly

### Installation\*

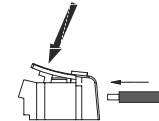


The fitting comes with both waterproof cable glands installed, one side has a silicone cover to ensure the IP65 rating. In order to utilize both connections, remove the blanking plate by unscrewing the cover.

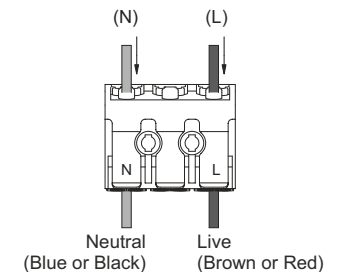
(Fig.2)

### Wiring Instructions

Press here



### POWER SUPPLY



### LIGHT FITTING

 **This is a sealed fitting and must not be opened!**

**Opening this fitting will void the warranty!**

\*Can also be suspended with traditional hooks & Jack chain. Not supplied.