

Installation Sheet FLPIR10

LEDTEK® 10 WATT PIR LED Floodlight

Please read these instructions before commencing installation and retain them for future reference.

IP44   220-240V 10W

SAFETY PRECAUTIONS

- Switch off the power source before installation.
- Install a minimum distance of 1m away from ground.
- The unit must be installed in the horizontal position (Figure 1a), not vertically (Figure 1b).

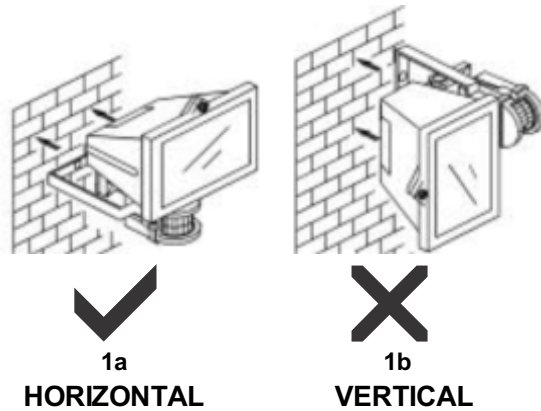


Figure 1a & 1b

INSTALLATION INSTRUCTIONS

1. If in doubt consult a professional electrician.
2. Unscrew the floodlight from its wall bracket as indicated in Figure 2, part 4.
3. Line up the wall bracket holes and drill three holes into the wall. Use appropriate size rawl plugs and screws to fix the bracket to the wall.
4. Screw the floodlight on to its wall bracket and tighten firmly, angling the light as required.
5. When connecting the power cable into the PIR sensor housing, please follow the wiring instructions opposite.
6. After connecting the power supply, the installation has been completed.

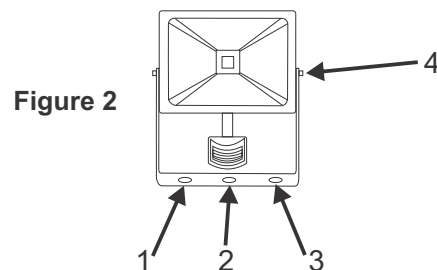
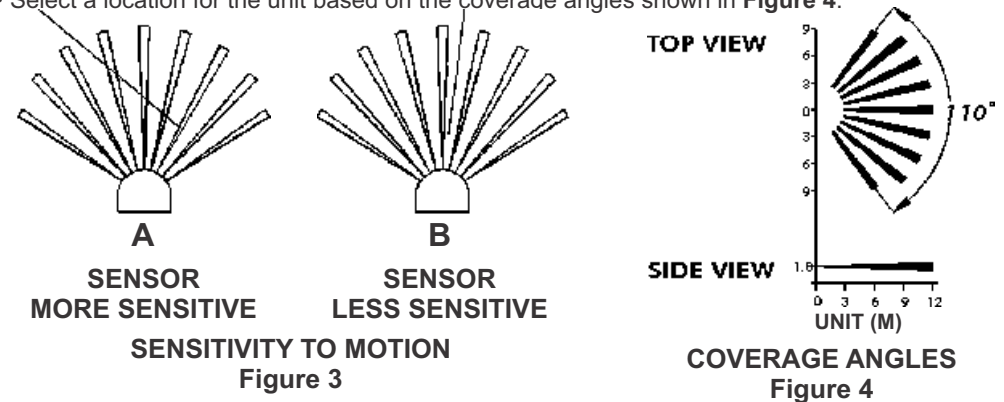


Figure 2

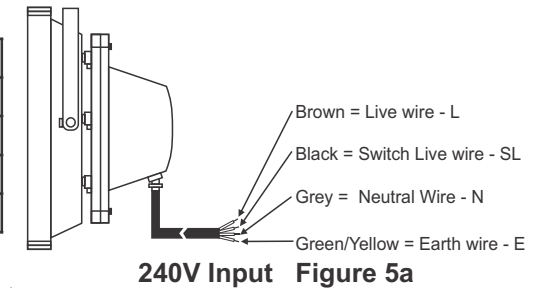
CHOOSING A MOUNTING LOCATION

- For the best results, fix your sensor on a solid surface, 1.8~2.5M above the ground.
- For outdoor installation, a location under eaves is preferable.
- Avoid aiming the motion sensor at pools, heating vents, air conditioners or objects that may change temperature rapidly.
- Do not allow sunlight to fall directly on the front of unit.
- Try to avoid pointing the unit at trees or shrubs or where the motion of pets may be detected.
- When choosing the mounting position consider that the sensor is more sensitive to motion across the detection field (A) and less sensitive to motion directly towards the sensor (B) (Figure 3).
- Select a location for the unit based on the coverage angles shown in Figure 4.



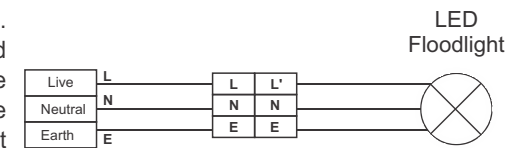
WIRING INFORMATION

Wired with four core (w/o plug)	240V Input (Figure 5a)
	Brown = Live
	Black = Switch Live
	Grey = Neutral
	Green/Yellow = Earth



STANDARD CONNECTION

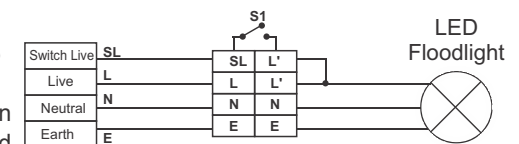
The fitting comes pre wired with a 4 core cable to facilitate a manual override connection as an option. Should you wish to connect the fitting as a standard fitting please ignore the black core and connect the other three cores as follows: Green/yellow should be connected to earth; grey core to the neutral power input and brown to the live power input. (see Figure 5b) As such, referring to Fig 5a simply cancel the black switch live connection.



Standard wiring Figure 5b

MANUAL OVERRIDE FACILITY

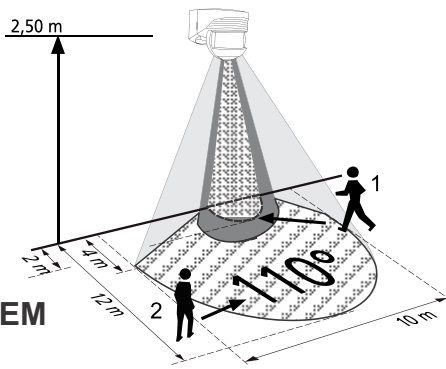
A manual override facility utilizes a second live feed in order to bypass the sensor thus allowing one to permanently switch on your flood light. In order to manually override the PIR sensor using an in line switch, the Brown core (Live) is being used as a permanent feed to the sensor and the Black core (Switch Live) to be utilized for the switch feed. (see Figure 5c)



Manual Override wiring Figure 5c

COVERAGE RANGE

- 1 ■ Walking Towards
- 2 ■ Walking across



SETTING THE LIGHT SYSTEM

(1) TEST MODE

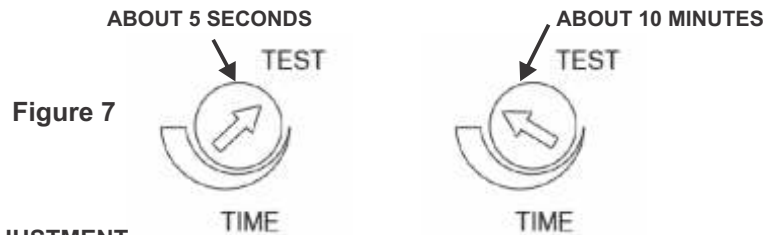
- Set the SENS control to its midpoint. Turn the Light control clockwise and the time control anti-clockwise to the edge – the TEST position (Figure 6).



- Turn on the wall switch. The floodlight will turn on for about 1 minute to warm up. Then it turns off. Walk through the detection area. The floodlight turns on when you move and turns off when you stop. Wait for the floodlight to turn off before moving again to test the sensor.
- Adjust the motion sensor to cover the desired detection area. For a smaller coverage area, point the sensor down; for a larger coverage area, point the sensor up.

(2) TIME ADJUSTMENT

- The TIME adjustment controls how long the floodlight will stay on after the motion has been detected.
- Turn the time control knob clockwise to increase (up to about 10 minutes) how long the floodlight stays on or anti-clockwise to decrease (down to about 5 seconds) the time delay (Figure 7).



(3) LUX ADJUSTMENT

- The LUX adjustment determines at what light level the lighting system will start operating when you set the sensor to automatic operation.
- Provisionally turn the LUX control knob to the edge anti-clockwise at the moon (dusk) position (Figure 8). In this provisional setting mode, the motion sensor remains inactive during daylight. At dusk when the light level is at the LUX required, simply set the LUX control knob to the position that the motion sensor will become active as daylight declines.



Figure 8

(4) SENSOR ADJUSTMENT

The sensitivity adjustment may be adjusted to compensate for seasonal variations in temperature and to reduce unwanted triggering. The optimum sensitivity can be achieved by setting the SENS control knob initially to its mid-point and then adjusting the control knob clockwise to increase (up to 12 meters) the detecting distance or anti-clockwise to decrease (down to 3 meters) the detecting distance.

SPECIFICATIONS:

Power Requirement	220V - 240V
Lighting Load	Max. 200W
Detection Angle	Up to 110° at 20°C
Detection Distance	Up to 12m at 20°C
Swiveling Angle	Lamp Part: Vertical 90°; Sensor Part: Horizontal 50°, Vertical 40°
Mounting Height	Recommended 1.8 ~ 2.5m (5.9 ~ 8.2 ft) Wall Mount
Time Adjustment	5 sec ~ 10 min
Lux Adjustment	Approx. 0 ~ 1,000 Lux.
Operating Temperature	-20°C ~ +40°C
Protection Class	Class I
Floodlight Protection Rating	IP65
PIR Protection Rating	IP44
Wall Switch Control	Manual Override

INSTALLATION NOTICE:

- When installing or replacing the fixture, the electrician should be clear about the product model number and power supply data. The power source should be isolated and switched off.
- Working temperature: -30° - +55°, using under ventilated condition.